



# SMOKEPRO™



Intertek  
5003132

Conforms to UL SUBJECT 2728  
Certified to CSA STD C22.2 #3

## PELLET GRILL AND SMOKER WARNING & INSTRUCTION BOOKLET MODEL NUMBER: PG24SE-3

**⚠ WARNING**

**FOR OUTDOOR USE ONLY**

**⚠ WARNING**

- To installer or person assembling this appliance: Leave this manual with this appliance for future reference.
- To consumer: Keep this manual with this appliance for future reference. Read and follow all warnings and instructions before assembling and using this appliance.

**DO NOT DISCARD THIS INSTRUCTION MANUAL**

**⚠ DANGER**

1. Never operate this appliance unattended.
2. Never operate this appliance within 10 ft (3 m) of any structure, combustible material or other gas cylinder.
3. Never operate this appliance within 25 ft (7.5 m) of any flammable liquid.
4. If a fire should occur, keep away from appliance and immediately call your fire department. Do not attempt to extinguish an oil or grease fire with water.

Failure to follow these instructions could result in fire, explosion or burn hazard, which could cause property damage, personal injury or death.

**⚠ CAUTION**

Always store wood pellets away from heat producing appliances and other food containers. Pellets should be stored in a dry environment.

**⚠ CAUTION**

Contact local building or fire officials about restrictions and installation inspection requirements in your area. **A MAJOR CAUSE OF FIRES IS FAILURE TO MAINTAIN REQUIRED CLEARANCES (AIR SPACES) TO COMBUSTIBLE MATERIALS. IT IS OF UTMOST IMPORTANCE THAT THIS PRODUCT BE INSTALLED ONLY IN ACCORDANCE WITH THESE INSTRUCTIONS.**

**⚠ CAUTION**

Use Only Wood Pellet Fuel Specified By The Manufacturer. Do Not Use Pellet Fuel Labeled As Having Additives.” Only use Camp Chef Premium Pellets with the following specifications.  
8,000-8,300 BTU/LB  
0.75-0.85% Ash content

**⚠ WARNING**

Wood pellets contain wood dust and other substances known to the state of California to cause cancer. Avoid inhaling dust generated from wood products or use a dust mask or other safeguards to avoid inhaling dust generated from wood products. Wood products emit chemicals known to the State of California to cause birth defects or other reproductive harm.

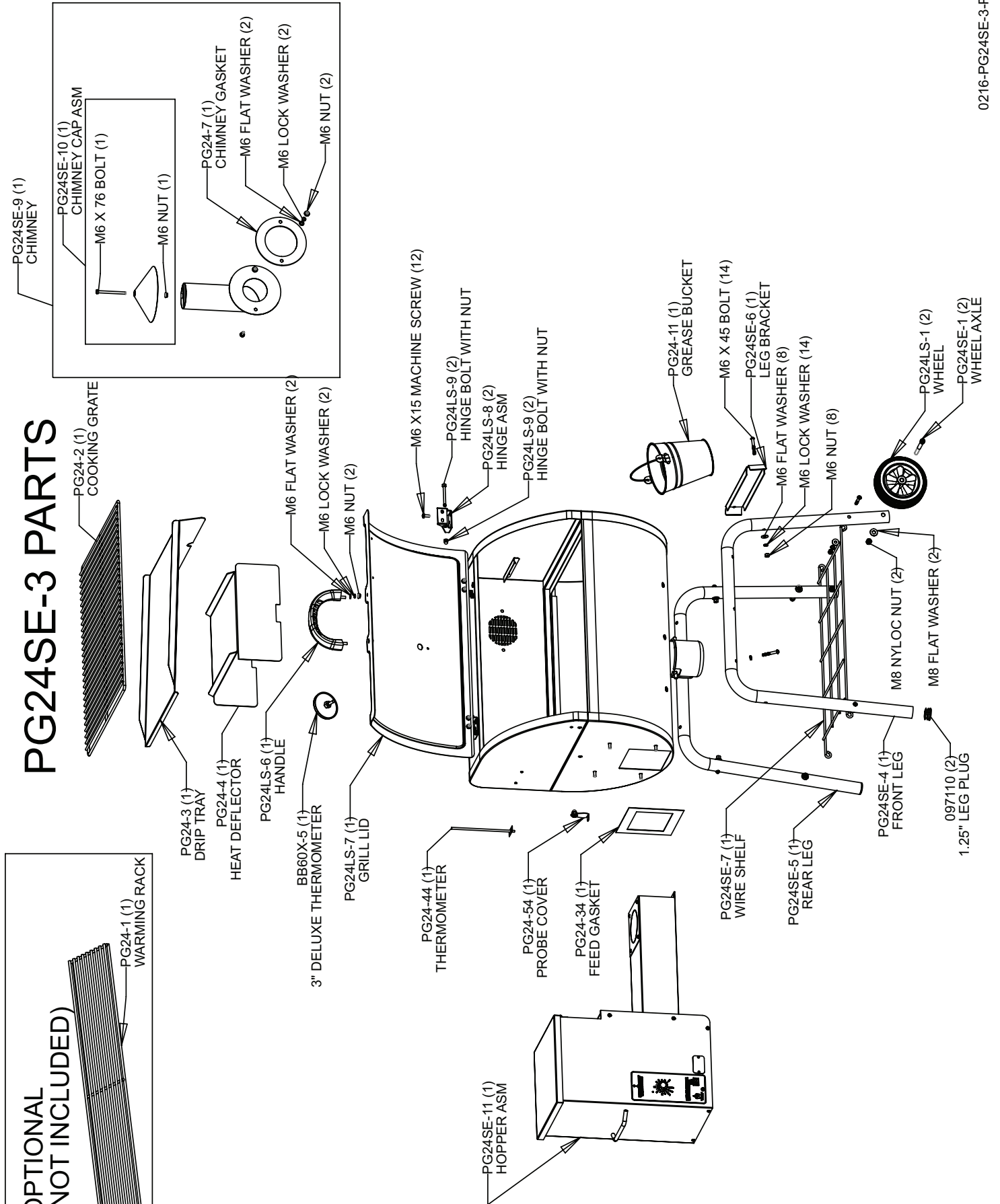
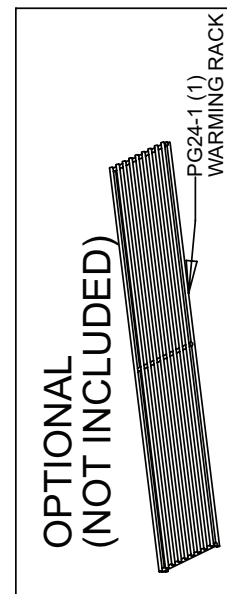
Combustion of wood chips, chunks or pellets like all wood products, results in the emission of carbon monoxide, soot and other combustion by-products which are known by the State of California to cause cancer, birth defects or reproductive harm. This product contains chemicals that are known to the State of California to cause cancer, birth defects or other reproductive harm. Wash hands after handling.

**⚠ CARBON MONOXIDE WARNING**

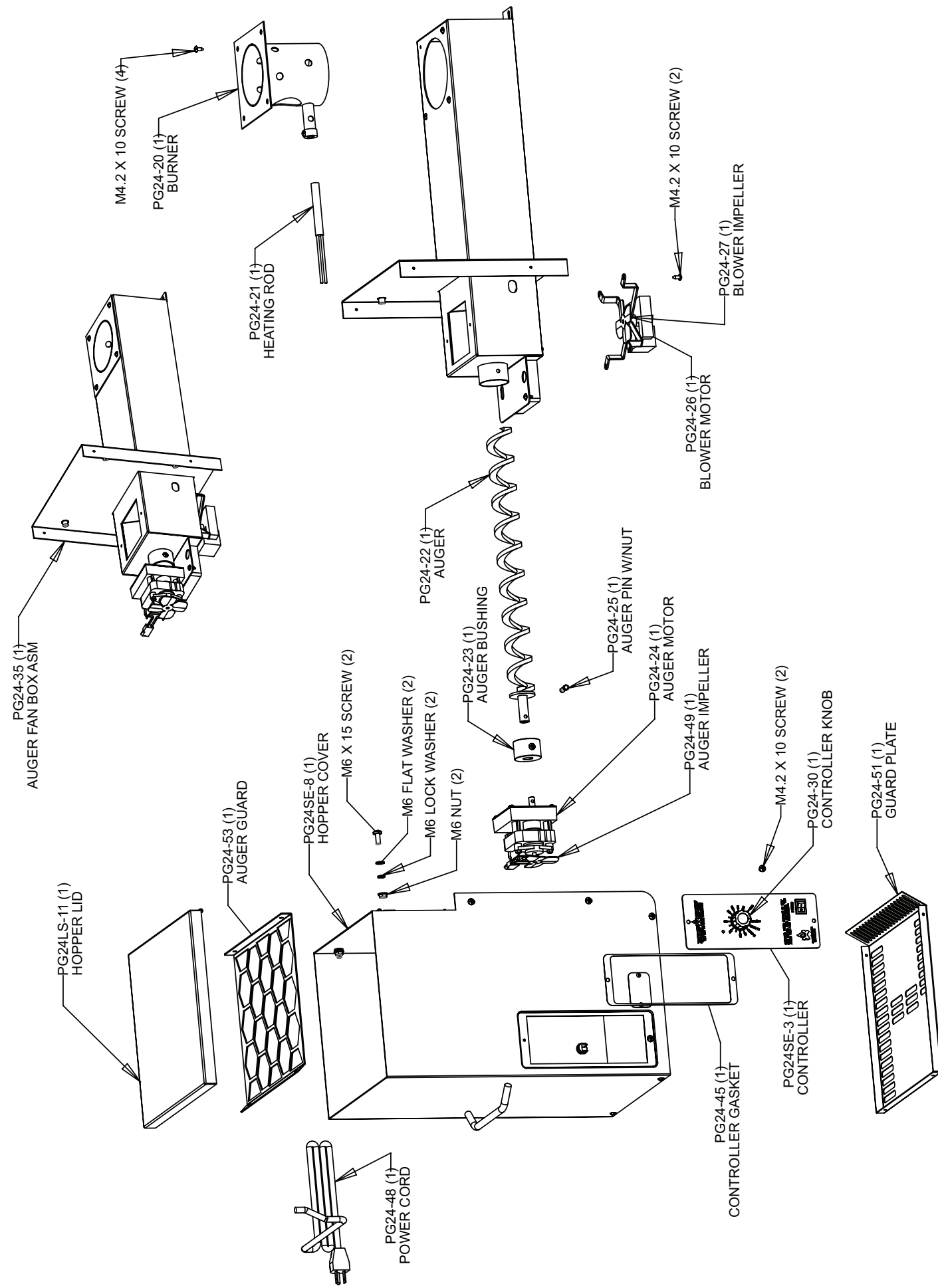
Follow these guidelines to prevent this colorless, odorless gas from poisoning you, your family or others. Know the symptoms of carbon monoxide poisoning: headache, dizziness, weakness, nausea, vomiting, sleepiness, and confusion. Carbon monoxide reduces the blood's ability to carry oxygen. Low blood oxygen levels can result in loss of consciousness and death. See a doctor if you or others develop cold or flu-like symptoms while cooking or in the vicinity of this appliance. Carbon monoxide poisoning, which can easily be mistaken for a cold or flu, is often detected too late. Alcohol consumption and drug use increase the effects of carbon monoxide poisoning. Carbon monoxide is especially toxic to mother and child during pregnancy, infants, the elderly, smokers and people with blood or circulatory system problems, such as anemia, or heart disease.

**PARTS LIST**

**PG24SE-3 PARTS**



## PARTS LIST



0216-PG24SE-11-PARTS

1. Do NOT leave this appliance unattended while in use. The user must remain in the immediate area of the product and have a clear view of the product at all times during operation.
2. Keep children and pets away from burner at all times.
3. The use of alcohol, prescription or non-prescription drugs may impair your ability to properly assemble or safely operate this appliance.
4. For OUTDOOR use only. Do NOT use in a building, garage or any other enclosed area. Do NOT use in or on recreational vehicles or boats. NEVER use this appliance as a heater.
5. Do not operate appliance under ANY overhead construction. Keep a minimum clearance of 10 feet (3 m) from the sides, front and back of appliance to ANY construction. Keep the area clear of all combustible material and flammable liquids, including wood, dry plants and grass, brush, paper, and canvas.
6. This product is not intended for commercial use.
7. Always allow the appliance to cool before covering with the patio cover.
8. Always cover the appliance, with patio cover (if supplied), when not in use.
9. Always unplug grill before installing patio cover.
10. Use only on level surface.
11. Make sure the grease bucket is in place before starting the grill.
12. In the event of a fire the dial should be turned to shutdown, close the lid, and leave it closed until the fire goes out. After allowing the grill to cool, follow the cleaning instructions before the next use.
13. Use only food grade hardwood pellets manufactured for use in pellet grills. Using softwood or heating pellets will void your warranty.
14. Do not allow the hopper to run out of pellets. Pellets can be added at any time. The hopper will hold approximately 15 pounds of pellets. The pellet usage will vary greatly depending on the ambient temperature as well as cooking temperature.
15. It is recommended that you not store pellets in the hopper for extended periods as they may absorb moisture from the air and clog the auger.
16. Keep the lid closed during cooking. The grill is designed to cook with the lid closed.
17. Do not use accessories not specified for use with appliance.
18. Never use gasoline, gasoline-type lantern fuel, kerosene, charcoal lighter fluid, or similar liquids to start or freshen up a fire in this appliance. Keep all such liquids well away from the appliance when in use.

19. Ashes should be placed in a metal container with a tight fitting lid. The closed container of ashes should be placed on a non combustible floor or on the ground, well away from all combustible materials, pending final disposal. When the ashes are disposed by burial in soil or otherwise locally dispersed they should be retained in the closed container until all cinders have thoroughly cooled.
20. Creosote – Formation and need for removal. When wood pellets are burned slowly, they produce tar and other organic vapors that combine with expelled moisture to form creosote. The creosote vapors condense in a relatively cool oven flue and exhaust hood of a slow burning fire. As a result, creosote residue accumulates on the flue lining and exhaust hood. When ignited, this creosote makes an extremely hot fire. The grease duct should be inspected at least twice a year to determine when grease and/or creosote build-up has occurred. When grease or creosote has accumulated, it should be removed to reduce risk of fire.

### ⚠ DANGER

Do not work on this grill if it is plugged in. Electric shock may occur resulting in death or serious injury.

### ASSEMBLY INSTRUCTIONS

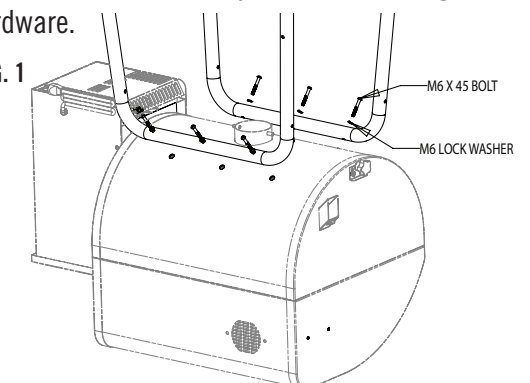
Remove all loose parts from the inside of the grill and hopper. Lay a blanket or piece of cardboard down to protect the grill.

#### ATTACH THE LEGS

With the help of another person flip the grill upside down on the blanket or cardboard. The grill lid and hopper lid will swing open when doing this so be careful not to damage the lids. The grill may also want to roll on its lid so one person should hold the grill steady while the other person assembles the bottom legs and wheels.

1. Assemble the legs as shown in Fig. 1 using Qty (6) M6 x 45 Bolts and Qty (6) Lock washers. Note that the longer leg must go closest to the hopper. Finger tighten hardware.
2. Assemble Qty (2) leg brackets onto the legs as shown in Fig 2 using Qty (4) M6 x 45 Bolts, Qty (4) M6 Flat Washers, Qty (4) M6 Lock Washers, and Qty (4) M6 Nuts. Finger tighten hardware.

FIG. 1





3. Assemble the wire shelf to the legs as shown in Fig 2 using Qty (4) M6 x 45 Bolts, Qty (4) M6 Flat Washers, Qty (4) M6 Lock Washers, and Qty (4) M6 Nuts. Finger tighten hardware.

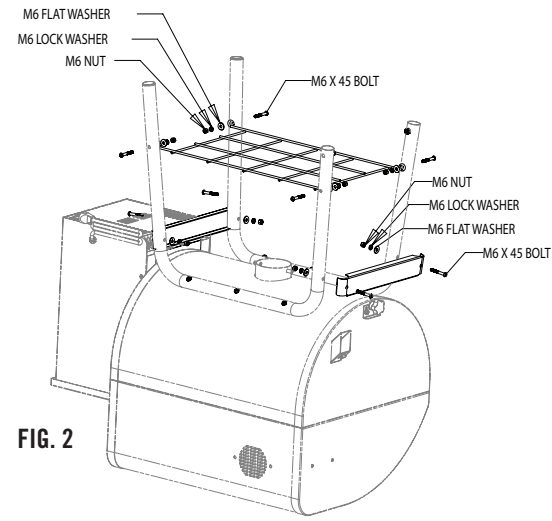


FIG. 2

4. Assemble Qty (2) Wheels to the legs as shown in Fig 3 using Qty (2) Wheel Axles, Qty (2) M8 Flat Washers, and Qty (2) M8 Nyloc Nuts. Tighten axle hardware with a wrench.

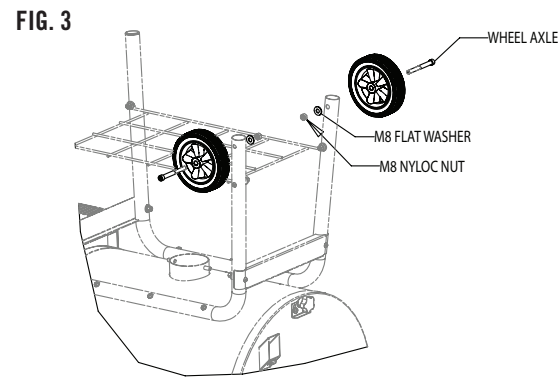


FIG. 3

5. With the help of another person, stand the grill upright. Be careful as the lid on the hopper and grill will close as the grill is stood upright.

6. Tighten all hardware assembled in the previous steps. Do not crush the tubes by over tightening the hardware.

### ATTACH CHIMNEY AND CHIMNEY CAP

1. Install chimney to grill as shown in Fig 4. Make sure to install the gasket between the grill and the chimney.
2. Tighten all hardware.
3. Install M6 x 76 Bolt through chimney cap and secure using Qty (1) M6 nut. Thread second nut onto bolt leaving approximately 1.5" to the top of the cap. Thread cap assembly down into the chimney bracket until the lower nut hits the bracket. See Fig 4.
4. The height of the chimney cap can be adjusted for summer and winter. In the summer the gap should be approximately 1-1/2". In the winter the gap should be approximately 1/2".
5. Tighten all hardware.

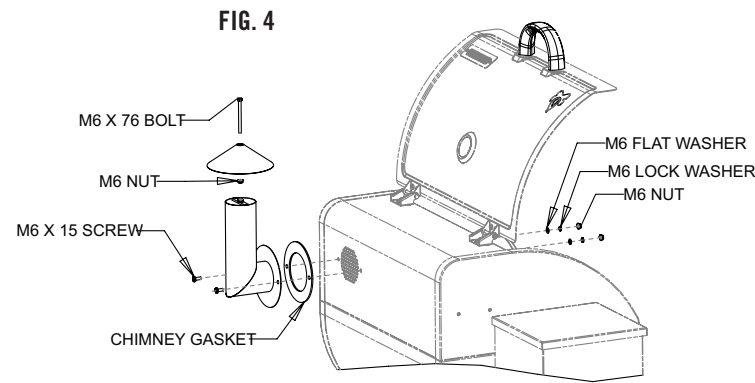


FIG. 4

### INSTALL HANDLE

1. Install the handle as shown in Fig 5.
2. Tighten all hardware.

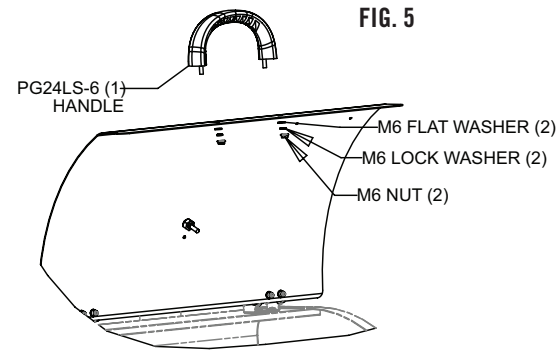


FIG. 5

### GREASE BUCKET

1. Hang grease bucket from tube as shown in Fig 6.

### ASH CUP

1. Install Ash Cup as shown in Fig 6. Never use grill without Ash Cup in place.

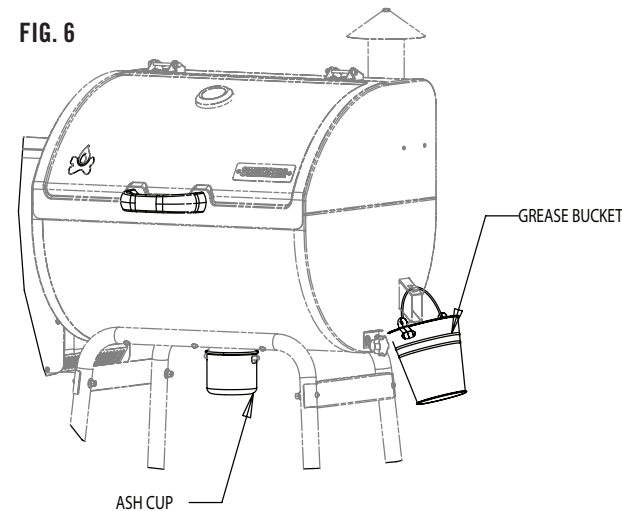


FIG. 6

### INSTALL DEFLECTOR AND DRIP TRAY

1. Install the Heat Deflector and Drip Tray as shown in Fig 7 and Fig 8.

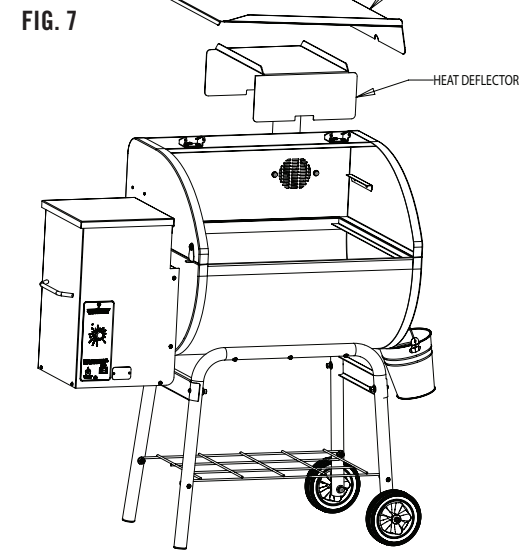


FIG. 7

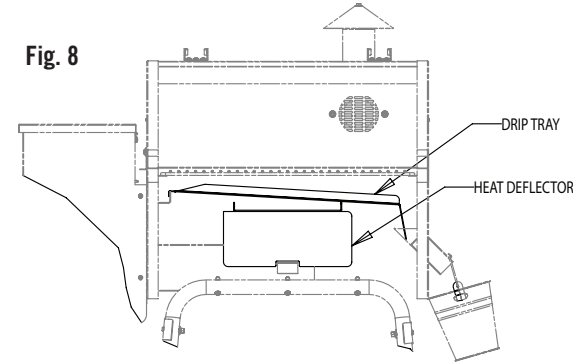


Fig. 8

### WARMING RACK AND COOKING GRATE (OPTIONAL RACK MODEL PG24-1 NOT INCLUDED)

1. Install the Warming Rack and Cooking Grate as shown in Fig 9.

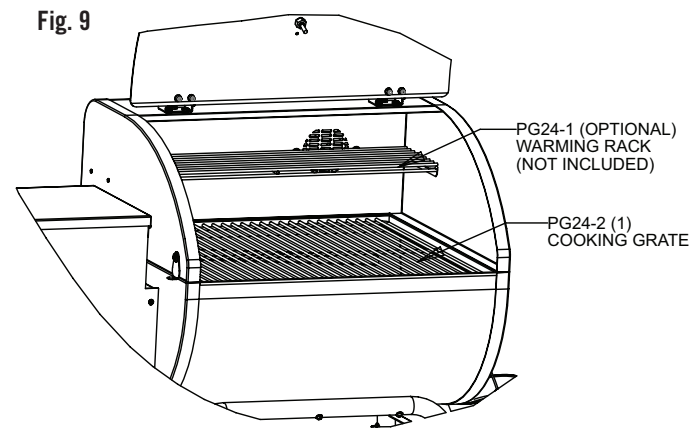


Fig. 9

### CLEAN-OUT PORT KNOB

1. Clean-out Port knob must be pushed in when grill is on. Make sure pullout lock is pushed down and locks the knob to prevent inadvertent opening of the clean-out port. See Fig 10.
2. Lift pullout lock and pull clean-out port knob to empty ash into ash cup. See Fig 11
3. See instructions for burner clean-out.

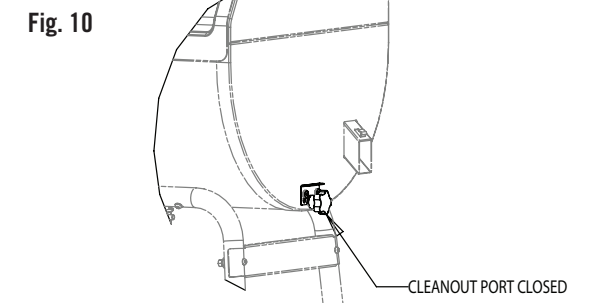


Fig. 10

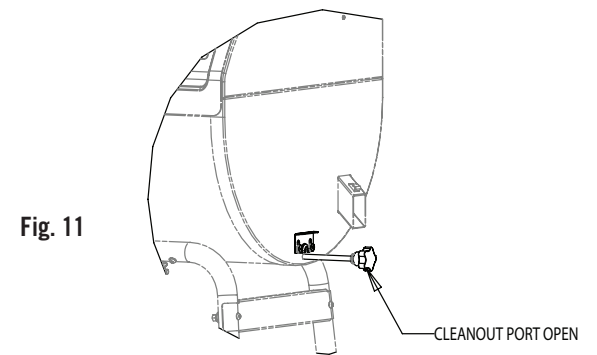


Fig. 11

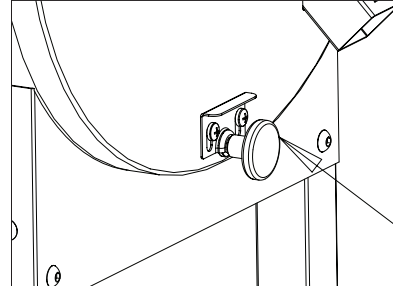
### BURNER CLEAN-OUT

Before each use the burner should be cleaned out by lifting the pullout lock and pulling the clean-out port knob on the right side of the grill to open the burner clean-out. This will allow the ash from previous use to fall into the cup under the grill. The cup should be removed and emptied and then reinstalled before each use.

**⚠ DANGER**

Never Operate the Pellet grill without the ash cup in place.

Make sure the burner clean-out port is closed and locked before starting the grill.



Never open the burner clean-out port when the grill is hot.

After cleaning out the burner make sure to close the burner clean-out by pushing the clean-out port knob in on the right side of the grill. Make sure to lift the pullout lock and push the clean-out port knob all the way in and lock in place with the pullout lock. Every 50 hours of use, remove the grill grates, grease tray, and heat deflector and clean the inside of the grill. If you notice a lot of ash blowing around in the grill it is time to vacuum it out.

## FILLING THE AUGER TUBE

**CAUTION: Only use the feed setting when the hopper has ran out of pellets. Feed setting is not for normal use.**

The first time you use your grill or any time the hopper has ran out of pellets you will need to fill the auger tube. This simply means you must fill the auger tube with pellets until pellets reach the burner. This is done by turning the dial to the FEED position. The auger will remain on for no more than 7 minutes. This is ample time for the pellets to reach the burner. It is easiest to open the burner clean-out by pulling the knob on the right side of the grill. Once you hear pellets dropping into the cup you can close the clean-out port by pushing the knob on the right side of the grill and then select your cooking temperature. (Never operate grill without the ash cup in place). Always make sure the burner clean-out port is closed by pushing in the knob on the right side of the grill before selecting any of the cook settings. Never open the burner clean-out port when the grill is hot.

## CONTROLLER EXPLANATION

### POWER SWITCH

Used to turn the main power onto the pellet grill. The fan will be on whenever the power switch is on. The dial must be rotated to any of the other positions before the grill will start. If the power is turned on with the dial in any other position than Shutdown the grill will immediately start that function. "0" is Off. "-" is On. See Fig 10

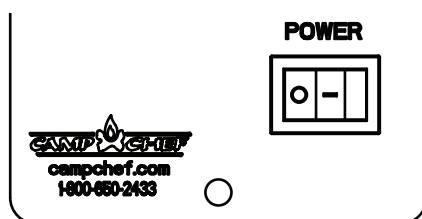


Fig. 10

### DIAL POSITIONS

**SHUTDOWN** -This setting must be used after each use. Turn the dial to this setting and the fan will remain on. Wait for 10 minutes to allow the grill to finish burning any pellets in the burner before turning the main power switch off. This setting will burn up any extra pellets in the burner and cool down the grill. Do not turn the main power switch off when the grill is hot.

**LOW SMOKE** - This setting is used for smoking foods at an average temperature of 160F. This setting will produce large amounts of smoke.

**HIGH SMOKE** - This setting is used for smoking foods at an average temperature of 220F. This setting will produce large amounts of smoke.

**175F TO 400F** - There are 25F increment settings from 175F to 400F. You can simply select any temperature you want and the grill will control the temperature within 15F of the selected temperature.

**HIGH** - This setting can be used to achieve temperatures up to 500F depending on ambient temperatures.

**FEED** - This setting is used to feed pellets to the hopper. It will be used the first time you use the grill to fill the auger tube and any time you may inadvertently run the hopper out of pellets. See instructions on filling the auger tube.

### DISPLAY

**LED FLASHING GREEN** – The LED will flash green each time the dial is changed from the OFF, SHUTDOWN, or FEED settings, to any of the cook settings indicating that the grill is in the startup cycle.

**LED GREEN** – A green LED light indicates that the grill is functioning normally in any of the cook settings.

**RED LED** – The LED will be red when the dial is turned to the shutdown mode or the flame is extinguished in any of the cook settings.

**LED Flashing Red** – The LED will flash Red if there is an error with the temperature sensor inside of the grill.

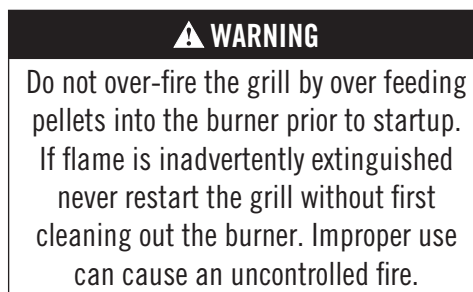
### BREAKING IN THE GRILL

We suggest turning the grill to 350F for ½ hour before cooking on the grill for the first time. This will burn off any manufacturing oils and cure the paint. Make sure to follow the instructions for filling the auger tube before breaking in the grill.



### COOKING

Once the auger tube has been properly filled you can begin cooking by selecting any of the cooking temperatures. The grill has 13 cook settings. Low Smoke, High Smoke, 175, 200, 225, 250, 275, 300, 325, 350, 375, 400, and High. By selecting any of these the grill will go into the Startup mode. The LED will flash green for 8 minutes during the startup cycle. After the 8 minutes the LED be green. The dial can be changed at any time during the startup cycle or the cook cycle between any of the 13 cook settings.



### SHUTDOWN

When you are done cooking the dial must be turned to the Shutdown setting. The LED will be red. In this setting the fan will remain on to finish burning any pellets in the burner and cool the grill down. After 10 minutes, if the grill has cooled the main power switch should be switched to off.

### WARNING

Do not turn the main power switch off while the grill is hot.

### CLEANING

Clean grates using a wire grill brush. This should be done with each use. DO NOT use oven cleaner or abrasive cleaners on the painted grill surfaces. Use warm soapy water on all painted surfaces. Clean grease pan, grease trough, and grease drain tube occasionally. A spatula can be used to scrape excess grease and a grill brush to brush clean. Do not allow grease to build up on the grease tray or in the grease trough as this can cause flare-ups inside the grill. The grease tray can also be lined with aluminum foil for easier cleanup. Make sure not to obstruct the flow of grease off of the tray and into the grease trough. Make sure not to block the airflow to the temperature sensor on the left side of the grill.

### TROUBLESHOOTING

#### GRILL DOES NOT TURN ON.

Grill fails to turn on after switching the power button to the on position.

1. Make sure the grill is plugged into a powered outlet. Check the circuit breaker and/or GFCI switch. Test the outlet using another appliance.
2. Unplug the grill and remove the control panel on the controller. Check the fuse located on the back of the controller. If the fuse is blown replace only with 5.0 Amp 250V 5x20mm Slow Blow Fuse. Typical fuse marking will be T5AL250V. Make sure to confirm they are a slow blow fuse. Actual fuse dimensions are 5.2x20mm. If problem cannot be resolved please call customer service.

#### GRILL DOES NOT HEAT UP OR LED IS RED

1. Turn Power Off
2. Check hopper for pellets
3. Check firebox to see if there are pellets in the firebox by removing the rack and heat deflectors. Use a vacuum to clean-out any pellets that may be in the bottom of the grill.
  - A. Try restarting the grill. If restarting the grill does not work and pellets are getting to the burner cup the heating rod may need to be replaced.
  - B. If there are few or no pellets in the burner then turn the dial to the feed position and see if pellets fall into the burner. If there are no pellets check to see if the auger is turning. If the auger motor is turning but the auger is not there may be a sheared auger pin. You can determine if the auger motor is turning by watching the small white fan at the end of the auger motor under the hopper. If the white fan is turning the auger motor is on. If the white fan is turning and the auger is not you will need to replace the auger pin. If problem cannot be resolved please call customer service.

## LED FLASHES RED

1. Turn the power off and unplug the grill.
2. Check to make sure the sensor inside of the grill is connected properly to the electronic board under the hopper.
3. Call customer service for a replacement sensor.

## LIMITED WARRANTY

To activate warranty, register on-line at: [www.CampChef.com](http://www.CampChef.com)

The manufacturer warrants stove components (except paint and finish) to be free from defect in materials and workmanship for 1 year from the date of purchase. All accessories (included with stove or purchased separately) are warranted from defect in materials and workmanship for 90 days from the original purchasing date. Within these periods, the manufacturer will replace or repair defective parts deemed unusable from its original intent by making available the parts thereof  
FOB Hyde Park, UT 84318

Product paint and finish is not warranted. The exterior finish of the product will wear down over time.

Clean the unit after each use to maintain the finish and prolong the life of your product. Wipe away all grease and ashes. Keep metal products free of moisture, salts, acids and harsh fluctuations in temperatures.

Warranty does not cover normal wear of parts or damage caused by misuse, abuse, overheating and alteration. Repairs or alterations made by anyone other than Camp Chef are not covered in this Warranty. Manufacturer will not be held liable for any losses due to neglectful operation. Furthermore, this Warranty does not cover damaged caused by natural disasters such as earthquakes, hurricanes, tornadoes, floods, lightning, fires, etc.

Upon the expiration of this warranty all such liability will terminate. No other warranties are expressed or implied.

Keep all original sales receipts. Proof of purchase is required to obtain Warranty services. Prior written approval and a Return Authorization Number must be obtained and accepted for repair or replacement only. Returns must be shipped prepaid. Collect shipment or shipments without a Return Authorization Number will not be accepted.

To obtain Warranty services call 1.800.650.2433.  
\*Warranty applies to the contiguous US states only.

**PULLED PORK (BOSTON BUTT)**

Times and Temps  
 6-8 lbs takes 8-12 hours  
 It's done when the internal temp reaches 195°-200° F  
 Smoke on the "High Smoke" setting on the grill  
 Recommended Wood Pellets: Mesquite, Apple and Alder

The cheapest and easiest way to learn about your new smoker is pulled pork. The roasts can often be found on sale and yield fantastic results. Look for a bone-in butt, most often referred to as picnic or Boston butt. There are various commercial rubs on the market that work great for butts. McCormicks Apple wood Rub or Mike Mills' Magic Dust tends to be favorites of many. A simple Internet search will yield the results on how to make your own Magic Dust.

Trim thick fat caps down to a quarter inch. Rinse and pat dry to prepare to apply the dry rub. Coat the butt liberally with dry rub, being sure to cover all sides and spaces. This can be done up to one day before smoking if covered in plastic wrap and stored in a refrigerator. When ready to smoke, remove plastic covering and place butt in the smoke chamber. Set the grill to the "High Smoke" setting and make sure the hopper is filled with food grade smoking pellets. Smoking times depend on external weather factors and size of the roast. Refer to the "Times and Temps" above. Wrap the roast in aluminum foil when the internal meat temp reaches 160° F, leave covered until it reaches the internal temp of 195°-200° F. For best results, leave the roast covered and let it "rest" for 15 minutes before pulling. Doing so will give it a chance to redistribute the juices and make it easier to pull.

**RIBS (BABYBACK)**

Times and Temps  
 Typically takes 4-6 hours to finish  
 It's done when the meat pulls back from the bone  
 Smoke on "High Smoke" setting  
 Recommended Wood Pellets: Fruit Woods combined with Hickory and Alder

Few BBQ items are as iconic as smoked ribs, yet with a very short learning curve you can be known as the neighborhood rib king. Like any other form of cooking, it comes down to time and temperature. The key here though is preparation. Do the work a day ahead of time to reap the tasty rewards the next day. Rinse the ribs in the sink and pat dry with a paper towel.

The next step is key; there is a silver skin or membrane on the concave side of the ribs. This needs to be peeled off. Start by scoring the membrane on one of the rib bones in the middle of the rack. Use a paper towel to get a hold of the skin and peel it back. Once the ribs have been rinsed and peeled they are ready for rub.

There are many great dry rubs available on the market, check your local grocer to see what they have available. Famous Dave's and Emeril's are both great choices. If you want to make your own, search online to come up with something that will work for you. Apply the rub liberally to both sides of the ribs. If you are doing multiple racks, stack them on top of each other then wrap in plastic wrapping. Place in a pan or a cookie sheet to keep your refrigerator clean. Leave overnight.

Remove the plastic wrap from the ribs and separate each rack. Place ribs on the grill convex side up and turn smoker on to "High Smoke." Camp Chef makes a great rib rack that will allow you to fit more racks of ribs on the grill. If you like sauce on your ribs, baste them towards the end of your smoking. When the meat pulls away from the bone, the ribs are done. This should take about 6 hours, depending on external temps, meat size and grill temperature. Remove and let it rest for 10-15 minutes before eating.

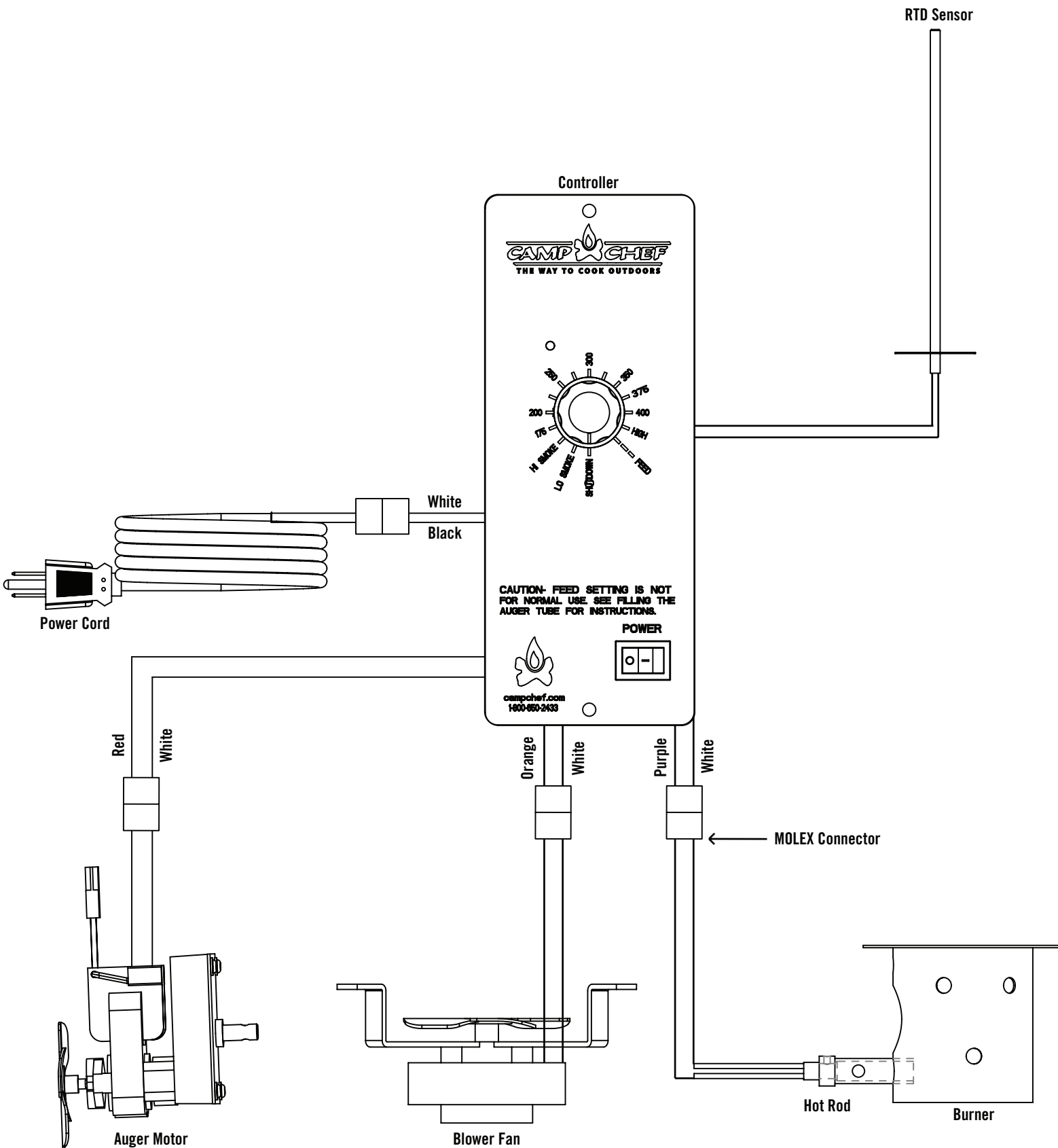
**BRISKET**

Times and Temps  
 Typical full, trimmed brisket weighs 8-12 lb.  
 It should take about 12-18 hours to complete  
 It's done when the internal temp reaches 185°-195° F  
 Recommended Wood Pellets: Hickory or Mesquite combined with Apple and Alder

Brisket isn't the easiest cut of meat to cook but with the help of a smoker it will quickly become a favorite. Low temperatures and a prolonged smoke is what help break down the connective tissues in this otherwise tough piece of meat. It can be bought as a whole or partial cut, trimmed or untrimmed. Buying the whole brisket untrimmed can save on some money if you're willing to trim it yourself. It's a pretty simple task and can be done at home.

Preparing it 24 hours in advance seems to yield the best results. Remove the brisket from the packaging and trim the fat cap to about ¼". Leaving some fat on the meat will help keep it moist as it renders during the smoking process. Rinse and pat dry.

Dry rubs are the most common for smoked brisket. Mike Mills' Magic Dust is a longtime favorite but there are numerous great ones available at your local grocery store. Apply the dry rub liberally to every part of the brisket then wrap tightly in plastic wrap and set in a refrigerator overnight. Doing so will allow the flavors of the rub to work their way into the meat. When ready to smoke remove the brisket from the fridge and take off the plastic wrap.





Place the brisket on the grill, fat side up. Adjust the temperature dial to “High Smoke” and make sure the hopper is filled with food grade pellets. Insert the included meat temperature probe into the meat to keep an eye on your internal temps. Wrap the brisket in aluminum foil once it reaches 160°. By doing so, it will heat more evenly and keep your brisket more moist. Once the desired internal temp is reached remove from grill and keep covered, allowing it to rest for 15-20 minutes then slice ¼” thick against the grain.

#### TURKEY

##### Times and Temps

10-12 lbs takes 7-8 hours to smoke or 3-4 hours to smoke cook

Cook to the USDA recommended internal temp of 165° F

Recommended Wood Pellets: Fruit Woods (apple, cherry, peach)

There are certain things that Grandma cooked and did a great job; probably for most, turkey is not on that list. Gone are the days of overcooked, dry birds. Thanks to some fresh ideas on cooking poultry, dry birds are a thing of the past. Brining is nothing new but has made a solid reemergence onto the cooking stage. Anyone that hasn’t tried a brined bird is missing out on something good, it just may convince you to eat turkey more than once a year.

Whether you buy a fresh or frozen turkey, make sure it’s thawed out when brining. Each brine mix has slightly different instructions, refer to the one you have or have bought. There are also great brine recipes online; just make sure you get one for poultry. A tried and true favorite is Hi Mtn Game Bird and Poultry brine. It comes with 2 packets and has very detailed instructions.

Once the bird has been brined and rinsed place it on the grill. Camp Chef makes a popular and effective poultry-cooking tool, the Infusion Roaster. Think of beer can chicken for your turkey; it’s a great way to add moisture to the bird while cooking. If you want to cook the turkey turn the grill setting to 375° F and make sure the pellet hopper is filled with food grade pellets. To smoke the turkey, turn the setting to “High Smoke.”

Insert the meat probe into the thickest part of the breast; be sure to keep the tip of the probe away from the internal bones, as it will affect the temperature reading. Cook or smoke the turkey until an internal temp of 165° F is reached. Test multiple places on the bird to be sure it’s fully cooked. Once it has reached 165° F, remove it from the grill and cover with foil. Let it rest for 10-15 minutes then carve and serve.

#### SALMON

##### Times and Temps

Approximate smoking time for steak cuts - 2-2.5 hrs

Approximate smoking time for filets - 4-6 lbs 3.5-4 hrs

Smoke to an internal temperature of 145° F

Recommended Wood Pellets: Alder, Fruit Woods, Hickory

Iconic in the Northwest but loved all across the continent, smoked salmon is deeply rooted in American history. Salmon is a favorite for more than just flavor, it’s rich in Omega 3 and Vitamin E. It also keeps very well in the refrigerator or vacuum packed and frozen.

Buy fresh salmon and rinse it clean before brining or putting a dry rub on it. Brines have been popular for years, for a number of reasons. It’s easy to use and yields great results. Brines are pretty basic, usually just salt, sugar and a combination of other flavors. Buying commercial made brine mixes is a sure way to go and are available at grocers and online. Hi Mtn makes a great Gourmet Fish Brine that works well for any seafood, especially salmon. Follow the directions included with the brine very closely before putting them on the grill. Remember that most of these brines require 24 hours to work properly.

Remove the fish from the brine and rinse in cold water before placing on the grill. Add non-stick spray to the grilling surface to prevent from sticking. Place the fish skin side down and start the smoker on the “Low Smoke” setting. Add food grade pellets in the hopper and insert the food temp probe into the thickest part of the meat. Smoke until the internal temp reaches 145° F then pull, cover with foil and let cool for 30 minutes. Enjoy your smoked salmon. You can also store it in your fridge or vacuum pack it and put it in the freezer to enjoy later.

#### PIZZA

##### Times and Temps

10-16 Inch Pizza takes 10-25 minutes

Smoke at Temperatures of 425°-450° F

Recommended Wood Pellets: Alder, Fruit Wood

Set dial to “High Smoke” and wait for temp to reach a minimum of 425° F.

Buy or make your favorite pizza dough. Form your dough on a pizza peel, pizza stone or pan with a light dusting of corn meal. Add your favorite sauce, cheeses, and toppings. (If using a pizza peel, transfer your pizza to a stone or pan for placing into the hot Pellet Grill and Smoker.)

Put pizza on a grilling tray or other heat-shielding surface. Place in the center of the grill surface and close lid. Bake for approximately 10-25 minutes. Do not leave grill unattended. Check pizza frequently by lifting crust with a spatula. Turn pizza 1/4 turn every 5 minutes. Baking times may vary. Tray and pizza will be hot, use caution when removing the pizza from the grill. Let stand 5 minutes. Remove pizza from grilling tray or other heat-shielding surface. Cut and serve.



# SMOKEPRO™



Intertek  
5003132

Conforms to UL SUBJECT 2728  
Certified to CSA STD C22.2 #3

**BARBECUE À GRANULES**  
**AVERTISSEMENT & INSTRUCTION BROCHURE**  
**Numéro de modèle: PG24SE-3**

**⚠ AVERTISSEMENT**

**DESTINÉ À UN USAGE EN PLEIN AIR UNIQUEMENT**

**⚠ AVERTISSEMENT**

- À l'attention de l'installateur ou de la personne chargée d'assembler cet appareil : conserver la présente notice d'utilisation avec l'appareil pour un usage ultérieur.
- À l'attention du consommateur : conserver la présente notice pour un usage ultérieur.

La présente notice d'utilisation contient des informations importantes nécessaires au montage correct et à l'utilisation sécuritaire de ce produit.

**NE PAS JETER LA PRÉSENTE NOTICE D'UTILISATION.**

**! DANGER**

1. Ne jamais faire fonctionner cet appareil sans surveillance.
2. Ne jamais utiliser cet appareil à moins de 3 m (10 pi) de toute structure, de tout matériau combustible ou de toute autre bouteille de gaz.
3. Ne jamais utiliser le présent appareil à moins de 7,5 m (25 pi) de tout liquide inflammable.
4. En cas d'incendie, rester à bonne distance de l'appareil et appeler immédiatement le service des incendies. Ne pas essayer d'éteindre un feu d'huile ou de friture avec de l'eau.

Le non-respect de ces consignes peut entraîner des dommages matériels, des blessures corporelles ou la mort pouvant résulter d'un incendie, d'une explosion ou d'un danger de brûlure.

**⚠ AVERTISSEMENT**

Entreposer en permanence les granules de bois à l'abri des appareils produisant de la chaleur et d'autres récipients alimentaires. Les granules doivent être entreposés dans un endroit sec.

**⚠ CAUTION**

Contacter les autorités locales du bâtiment ou de la protection incendie pour connaître les restrictions et les exigences d'inspection en vigueur dans votre région.

**LE NON-RESPECT DES DÉGAGEMENTS (ESPACES VIDES) REQUIS POUR LES MATÉRIEAUX COMBUSTIBLES CONSTITUE UNE DES PRINCIPALES CAUSES D'INCENDIES. IL EST DONC PRIMORDIAL D'INSTALLER CE PRODUIT CONFORMÉMENT À LA PRÉSENTE NOTICE.**

**⚠ CAUTION**

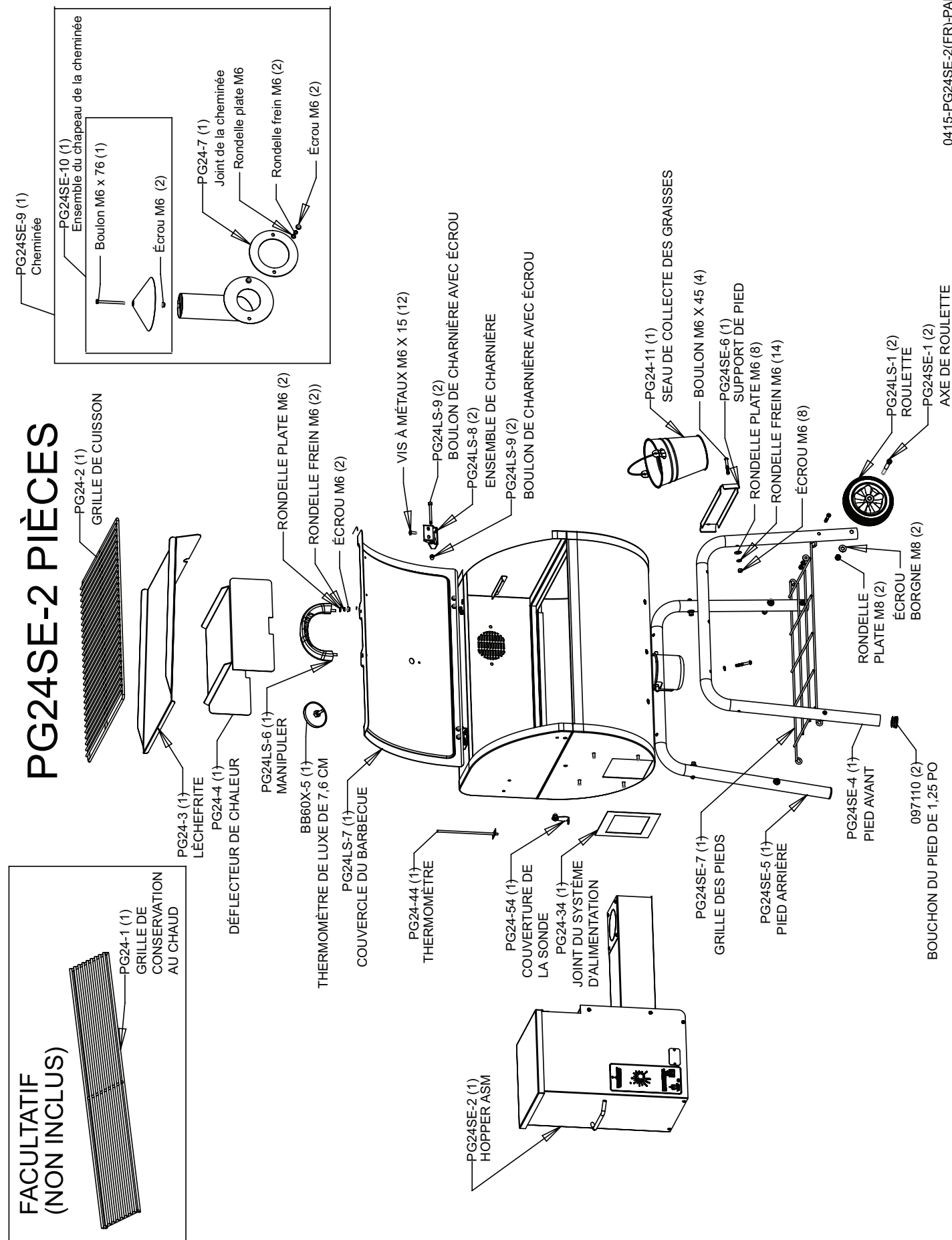
Utiliser uniquement les granules de bois indiqués par le fabricant. Ne pas utiliser de granules de bois dont les spécifications indiquent la présence d'additifs. Utiliser uniquement des granules de bois Camp Chef de première qualité répondant aux spécifications suivantes :  
8 000 à 8 300 BTU/LB  
Taux de cendre de 0,75 à 0,85 %

**AVERTISSEMENT CONCERNANT LE MONOXYDE DE CARBONE**

Avertissement concernant le monoxyde de carbone Respecter les présentes directives pour éviter de vous faire intoxiquer et d'intoxiquer vos proches par ce gaz incolore et inodore. Vous devez connaître les symptômes d'une intoxication au monoxyde de carbone : il s'agit de maux de tête, de vertiges, de faiblesses, de nausées, de vomissements, de somnolence et de confusion. Le monoxyde de carbone réduit la capacité sanguine pour transporter l'oxygène. Un faible taux d'oxygène dans le sang peut entraîner des pertes de connaissance, voire la mort. Consultez un médecin si vous ou autrui développez des symptômes du rhume ou s'apparentant à la grippe en cuisinant à proximité de cet appareil. Une intoxication au monoxyde de carbone, souvent confondue par erreur avec un rhume ou la grippe, est souvent détectée trop tard.

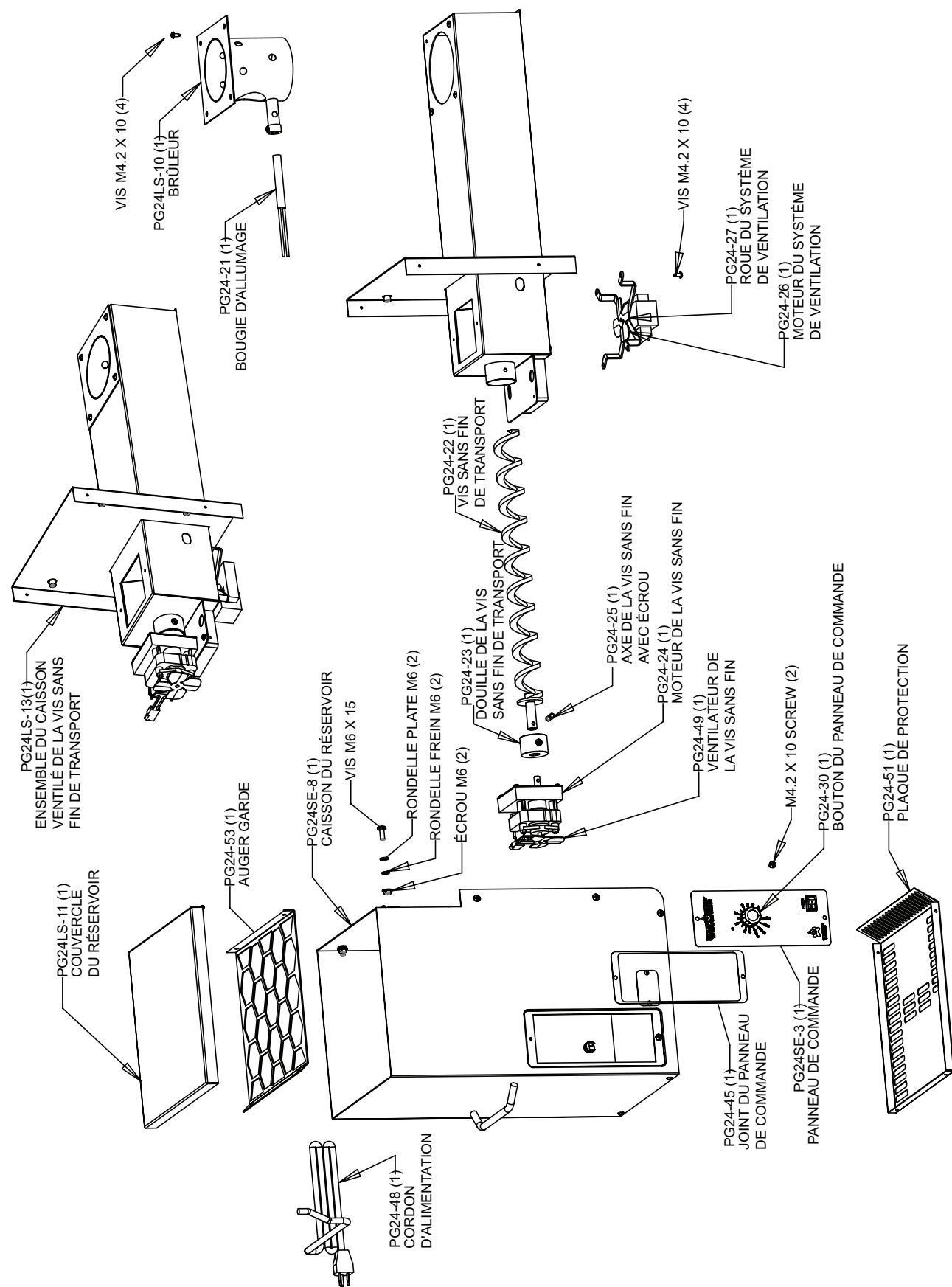
**LISTE DES PIÈCES**

**FACULTATIF (NON INCLUS)**





## LISTE DES PIÈCES



1114 PG2SE-2 PARTS

- NE PAS laisser l'appareil sans surveillance lorsqu'il fonctionne. L'utilisateur est tenu de rester à proximité du produit et de garder celui-ci dans son champ de vision direct pendant toute la durée de son fonctionnement.
- Tenir les enfants et animaux domestiques à l'écart du brûleur en permanence.
- La consommation d'alcool, ou de médicaments obtenus ou non sur ordonnance, risque de diminuer votre faculté de monter correctement l'appareil ou de l'utiliser en toute sécurité.
- Destiné à un usage EN PLEIN AIR uniquement. NE PAS utiliser à l'intérieur d'un immeuble, d'un garage ou de tout autre endroit fermé. NE PAS utiliser dans un véhicule récréatif ou sur un bateau. NE JAMAIS utiliser cet appareil comme système de chauffage.
- Ne faire fonctionner cet appareil sous AUCUNE surface surplombante. Conserver une distance minimale de 3 m (1 pi) entre les quatre côtés de l'appareil et TOUTE construction. N'entreposer aucuns matériaux combustibles et liquides inflammables, plantes et herbes sèches, buissons, papiers et toiles à proximité de l'appareil.
- Cet appareil n'est pas destiné à un usage commercial.
- Toujours laisser l'appareil refroidir avant de le recouvrir de sa housse d'extérieur.
- Toujours recouvrir l'appareil de sa housse d'extérieur (lorsqu'elle est fournie) lorsque l'appareil ne sert pas.
- Toujours débrancher le barbecue avant de le recouvrir de la housse d'extérieur.
- Utiliser UNIQUEMENT sur une surface plane.
- En cas d'incendie, placer le bouton de commande sur la position SHUTDOWN, fermer le couvercle et le laisser fermé jusqu'à extinction du feu. Lorsque le barbecue aura refroidi, suivre les consignes de nettoyage avant la prochaine utilisation.
- Utiliser uniquement des granules de feuillu à usage alimentaire qui sont fabriqués pour être utilisés dans des barbecues à granules. L'utilisation de granules de conifères ou de bois de chauffage annulera votre garantie.
- Ne pas laisser le réservoir à granules se vider complètement de granules. Les granules peuvent être ajoutés à tout moment. Le réservoir peut contenir environ 6,8 kg de granules. La consommation de granules variera considérablement en fonction de la température ambiante ainsi que de la température de cuisson.
- Il vous est recommandé de ne pas entreposer les granules dans leur réservoir pour des périodes prolongées ; ils peuvent en effet absorber l'humidité de l'air et obstruer la vis sans fin de transport.
- Garder le couvercle fermé pendant le fonctionnement du barbecue. Le barbecue est conçu pour cuisiner en gardant le couvercle fermé.
- Ne pas utiliser d'accessoires dont l'utilisation n'est pas indiquée avec cet appareil.

- Ne jamais employer d'essence de carburant de lanterne de type essence, de kérosène, de produit d'allumage pour charbon ou de liquides semblables pour démarrer ou raviver un feu dans cet appareil. Garder tous ces liquides à bonne distance de l'appareil pendant qu'il est en service.
- Les cendres doivent être déposées dans un conteneur métallique possédant un couvercle hermétique. Le conteneur fermé qui contient les cendres doit être placé sur une surface non combustible ou sur le sol, très loin des matériaux combustibles jusqu'à l'élimination définitive des cendres. Si les cendres sont destinées à être enterrées dans le sol ou dispersées autrement sur place, elles devraient être conservées dans le conteneur jusqu'à ce qu'elles soient complètement refroidies.
- La créosote – Formation et nécessité de la retirer. Lors de leur lente combustion, les granules de bois produisent du goudron et d'autres vapeurs organiques qui, combinés à l'humidité rejetée, forment la créosote. Les vapeurs de créosote se condensent dans les tuyaux d'évacuation d'un four relativement froid et dans la hotte de ventilation d'un foyer à combustion lente. Il en résulte une accumulation de résidus de créosote dans les tuyaux d'évacuation et la hotte de ventilation. Une fois mise à feu, cette créosote produit un feu brûlant. Le tuyau d'évacuation des graisses doit être inspecté au moins deux fois par an pour déterminer si une accumulation de graisse et/ou de créosote s'est produite. Si tel est le cas, cette accumulation doit être enlevée pour réduire le risque d'incendie.

### ANGER

Ne pas effectuer de travaux sur le barbecue lorsque celui-ci est branché. L'électrocution qui risquerait de se produire pourrait entraîner le décès ou des blessures graves.

### CONSIGNES DE MONTAGE MONTAGE DES PIEDS

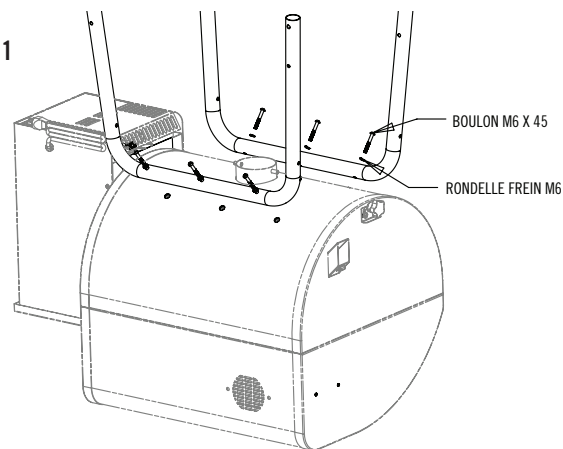
Retirer toutes les pièces détachées se trouvant à l'intérieur du barbecue et du réservoir. Déposer par terre une couverture ou un morceau de carton par terre pour protéger le barbecue.

### MONTAGE DES PIEDS

Avec l'aide d'une autre personne, mettre le barbecue à l'envers sur la couverture ou le carton. Les couvercles du barbecue et du réservoir s'ouvriront lors de cette opération. Veiller donc à ne pas les abîmer. Le barbecue risque également de rouler sur son couvercle. Une personne devrait donc le maintenir en place pendant que l'autre personne monte les pieds fixes et les roues.

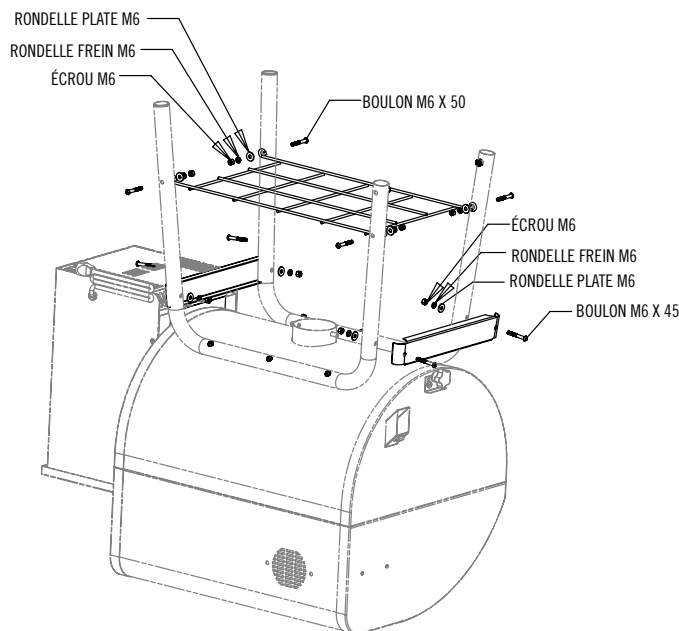
- Assembler les pieds comme indiqué à la Fig. 1 à l'aide de six boulons M6 x 30 et de six rondelles freins. Remarque : le pied le plus long s'attache le plus près du réservoir. Serrer la quincaillerie manuellement.

FIG. 1



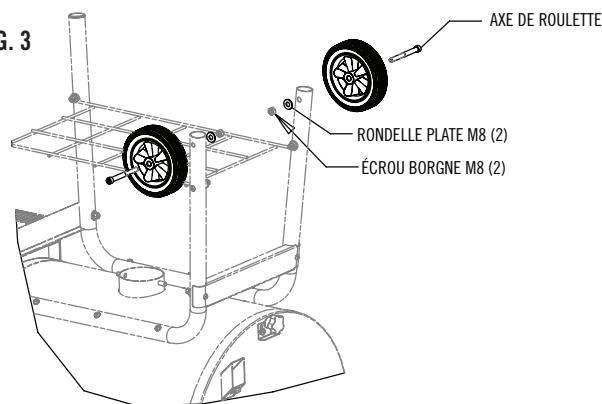
2. Attacher les deux supports des pied à ceux-ci comme illustré à la Fig. 2 à l'aide de quatre boulons M6 x 45, quatre rondelles plates M6, quatre rondelles freins M6 et 4 écrous M6. Serrer la quincaillerie manuellement.
3. Attacher la grille aux pieds comme indiqué à la Fig. 2 à l'aide de quatre boulons M6 x 45, quatre rondelles plates M6, quatre rondelles freins M6 et quatre écrous M6. Serrer la quincaillerie manuellement.

FIG. 2



4. Monter les deux roulettes aux pieds comme illustré à la Fig. 3 à l'aide de leurs deux axes, de 2 rondelles plates M8 et de deux écrous borgnes M8. Serrer toute la quincaillerie de l'axe avec une clé.

FIG. 3

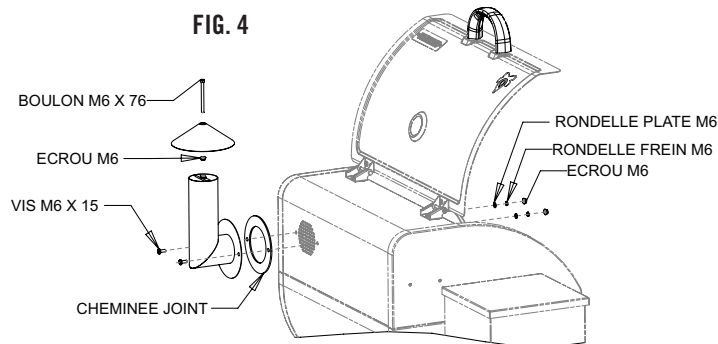


5. Avec l'aide d'une autre personne, remettre le barbecue à l'endroit. Veiller à ce que les couvercles du réservoir et du barbecue se referment lorsque le barbecue est posé à l'endroit.
6. Resserrer toute la quincaillerie montée aux étapes précédentes. Ne pas écraser les tubes en serrant exagérément la quincaillerie.

### MONTAGE DE LA CHEMINÉE ET DE SON CHAPEAU

1. Monter la cheminée sur le barbecue comme indiqué à la Fig. 4. S'assurer que le joint de la cheminée est placé entre le barbecue et la cheminée.
2. Serrer toute la quincaillerie.
3. Placer le boulon M6 x 76 à travers le chapeau de la cheminée et l'attacher au moyen d'un (1) écrou M6. Visser un deuxième écrou sur le boulon en laissant environ 3,8 cm à partir de l'extrémité supérieure du chapeau. Visser l'ensemble du chapeau vers le bas dans le support de la cheminée jusqu'à ce que l'écrou du bas touche le support. Voir la figure 4.
4. Il est possible d'ajuster la hauteur du chapeau de la cheminée en fonction de l'été et de l'hiver. En été, l'écart doit être d'environ 3,8 cm. En hiver, l'écart doit être d'environ 1,3 cm.
5. Serrer toute la quincaillerie.

FIG. 4



### MONTAGE DE LA POIGNÉE

1. Monter la poignée comme indiqué à la Fig. 5.
2. Serrer toute la quincaillerie.

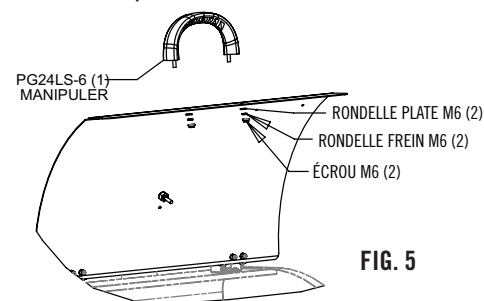


FIG. 5

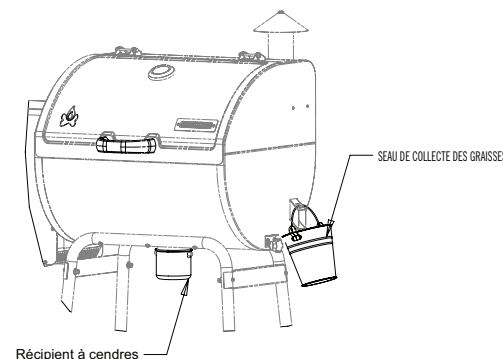
### SEAU DE COLLECTE DES GRAISSES

1. Suspender le seau de collecte des graisses à son conduit d'évacuation comme indiqué à la Fig. 6.

### RÉCIPIENT À CENDRES

1. Monter le récipient à cendres comme indiqué à la Fig. 6. Ne jamais utiliser le barbecue sans y monter le récipient à cendres.

FIG. 6



### DÉFLECTEUR DE CHALEUR ET LÈCHEFRITE

1. Monter le déflecteur de chaleur et la lèche-frite comme indiqué aux Fig. 6 et 7.

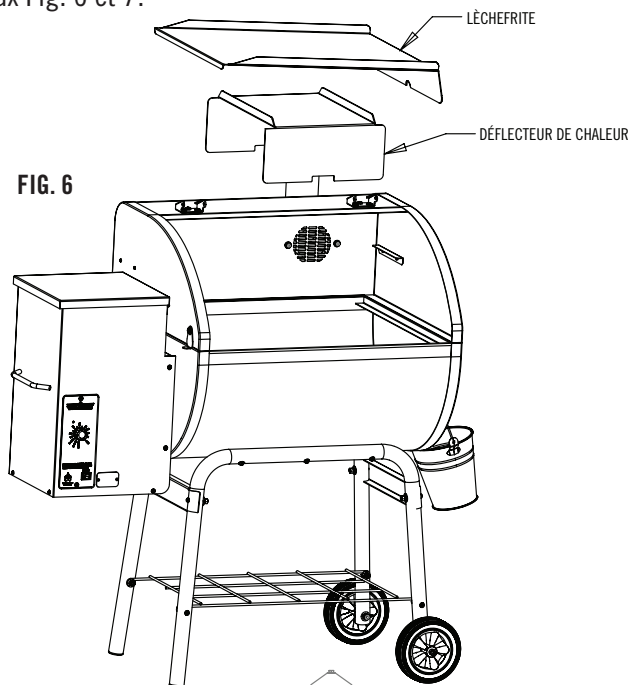


FIG. 6

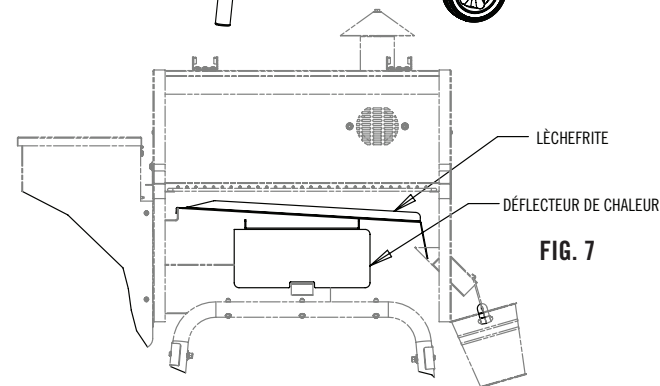
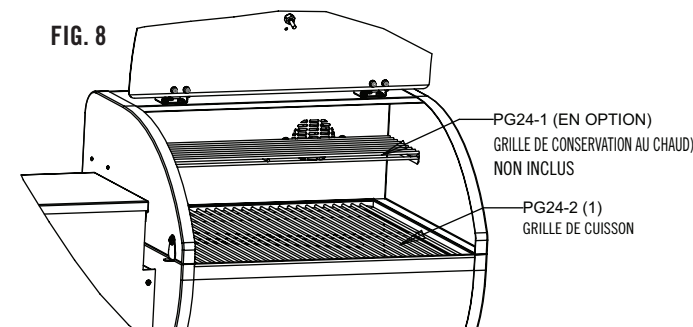


FIG. 7

### GRILLE DE CUISSON ET GRILLE DE CONSERVATION AU CHAUD (EN OPTION SUR LE MODÈLE PG24-1, NON INCLUS)

1. Placer la grille de cuisson et la grille facultative de conservation au chaud comme indiqué à la Fig. 8.

FIG. 8



### BOUTON DE LA TIGE DE LA ZONE DE NETTOYAGE

1. Le bouton de la tige de la zone de nettoyage doit être enfoncé lorsque le barbecue est allumé. S'assurer que le système de blocage de la tige est tiré vers le bas et bloque le bouton afin d'empêcher l'ouverture de la zone de nettoyage par inadvertance. Voir la Fig. 9.
2. Soulever le système de blocage de la tige et tirer le bouton de la tige de nettoyage pour vider les cendres dans le récipient prévu à cet effet. Voir la Fig. 10.
3. Voir les consignes concernant le nettoyage du brûleur.

FIG. 9

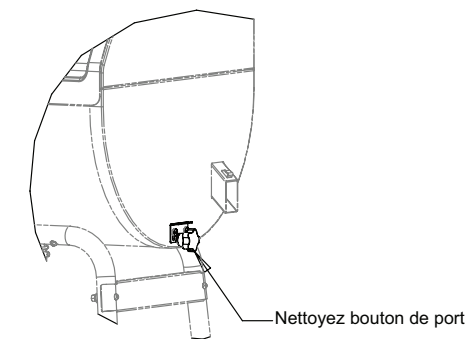
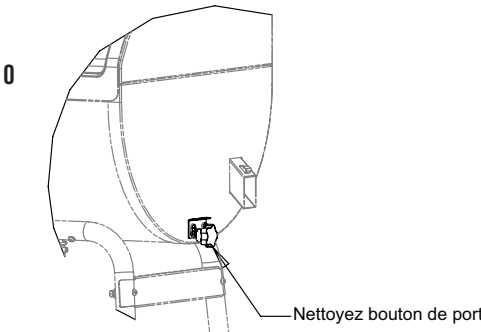


FIG. 10



### NETTOYAGE DU BRÛLEUR

Avant chaque utilisation, il convient de nettoyer le brûleur en soulevant le système de blocage de la tige de la zone de nettoyage et en tirant le bouton de celle-ci du côté droit du barbecue pour ouvrir la zone de nettoyage du brûleur. Les cendres provenant de l'utilisation précédente tomberont ainsi dans le récipient prévu à cet effet qui se trouve en dessous du barbecue. Il convient d'enlever ensuite le récipient, de le vider et de le remonter avant chaque utilisation. Après le nettoyage du brûleur, s'assurer de refermer la zone de nettoyage de celui-ci en repoussant le bouton de la tige de la zone de nettoyage du côté droit du barbecue. S'assurer de relever le système de blocage de la tige de la zone de nettoyage et de bien enfoncer le bouton de la tige à fond et de le bloquer en place à l'aide du système de blocage. Après 50 heures d'utilisation, retirer les grilles, la lèche-frite et le déflecteur de chaleur du barbecue pour nettoyer celui-ci à l'intérieur. Lorsque vous remarquez une grande quantité de cendres volantes à l'intérieur du barbecue, il convient alors de les aspirer à l'extérieur.

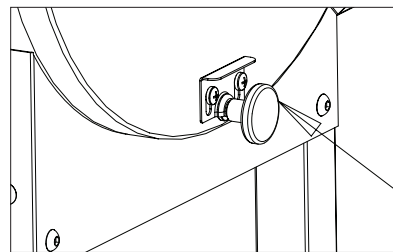


## ⚠ DANGER

### DANGER

Ne jamais faire fonctionner le barbecue à granules sans que le récipient à cendres ne soit monté.

S'assurer que le trou de la zone de nettoyage du brûleur est fermé et bloqué avant d'allumer le barbecue.



Ne jamais ouvrir le trou de la zone de nettoyage du brûleur lorsque le barbecue est chaud.

## REPLISSAGE DE LA CAVITÉ DE LA VIS SANS FIN DE TRANSPORT ATTENTION: UTILISER UNIQUEMENT LE PARAMÈTRE FEED LORSQUE LE RÉSERVOIR EST COMPLÈTEMENT VIDE. CE PARAMÈTRE N'EST PAS DESTINÉ À ÊTRE SÉLECTIONNÉ PENDANT LE FONCTIONNEMENT NORMAL DU BARBECUE À GRANULES.

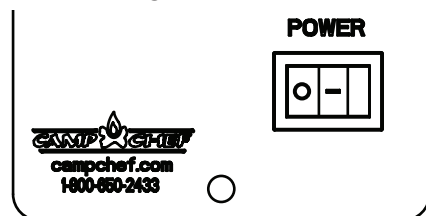
La première fois que vous utilisez votre barbecue où chaque fois que le réservoir à granules est vide, vous devrez remplir la cavité de la vis sans fin de transport. Ceci signifie simplement que vous devez remplir la cavité de la vis sans fin de granules jusqu'à ce que ceux-ci atteignent le brûleur. Pour ce faire, placer le bouton de commande sur la position FEED puis maintenant le bouton de dérivation pour 3 secondes. Vous actionnez ainsi la vis sans fin et l'écran numérique affichera « FEED ». La vis sans fin restera allumée pendant 7 minutes maximum. Il s'agit d'un temps largement suffisant pour permettre aux granules d'atteindre le brûleur. Il est plus facile d'ouvrir la zone de nettoyage du brûleur en tirant son bouton vers la droite du barbecue. Lorsque vous entendez les granules tomber dans le récipient à cendres, fermer le trou de la zone de nettoyage en repoussant le bouton d'ouverture de celle-ci du côté droit du barbecue et sélectionner ensuite la température de cuisson. (Ne jamais faire fonctionner le barbecue à granules sans monter le récipient à cendres). Toujours s'assurer que le trou de la zone de nettoyage est fermé en enfonçant son bouton situé à droite du barbecue avant de sélectionner l'un quelconque des réglages de cuisson. Ne jamais ouvrir le trou de la zone de nettoyage du brûleur lorsque le barbecue est chaud.

## EXPLICATION DU BOUTON DE COMMANDE INTERRUPTEUR

Celui-ci est utilisé pour raccorder l'alimentation principale au barbecue à granules. Lorsque le bouton de commande se trouve en position SHUTDOWN alors que l'interrupteur est allumé, l'écran

affiche « ----- ». Le bouton de commande doit être placé sur une autre position pour pouvoir allumer le barbecue. Lorsque le barbecue est branché et que le bouton de commande se trouve sur une autre position que SHUTDOWN, le barbecue s'allumera immédiatement dans cette fonction. « 0 » signifie Arrêt (Off). « - » signifie Marche. Voir la Fig. 11.

Fig. 11



## POSITIONS DU BOUTON DE COMMANDE SHUTDOWN

Ce réglage doit être utilisé après chaque utilisation. Lorsque vous placez le bouton dans cette position, le système de ventilation continuera de fonctionner pendant 10 minutes pour s'arrêter ensuite. Ce réglage permet de brûler les derniers granules du brûleur et de refroidir le barbecue. Ne pas éteindre l'interrupteur principal lorsque le barbecue est chaud.

FEED - Ce réglage est utilisé pour alimenter les granules vers le brûleur en actionnant la vis sans fin de transport. Il sera utilisé la première fois que vous utilisez le barbecue pour remplir la cavité de la vis sans fin de transport et chaque fois que vous laissez se vider le réservoir à granules par inadvertance. Voir les consignes concernant le remplissage de la cavité de la vis sans fin de transport.

LOW SMOKE - Ce réglage est utilisé pour fumer des aliments à une température moyenne de 71°C (160°F). Il produit beaucoup de fumée.

HIGH SMOKE - Ce réglage est utilisé pour fumer des aliments à une température moyenne de 104°C (220°F). Il produit beaucoup de fumée.

175F TO 400F - Ce réglage permet d'augmenter la température par tranche de (14°C) 25°F de 79°C à 204°C (175° F à 400° F). Il vous suffit de sélectionner la température désirée et le barbecue contrôlera la température dans une fourchette de 8°C (15°F) de la température sélectionnée.

HIGH - Ce réglage permet d'atteindre des températures pouvant atteindre 260°C (500°F) suivant la température ambiante.

## AFFICHAGE

« START » s'affichera sur l'écran numérique chaque fois que le bouton de commande quitte la position OFF, SHUTDOWN ou FEED et est placé sur un réglage de cuisson. Le cycle d'allumage dure environ 8 minutes.

Pendant le cycle de cuisson qui suit la séquence d'allumage, l'écran numérique affiche la température à l'intérieur du barbecue. Lorsque vous appuyez sur le bouton de la température de la sonde, celui-ci affichera la température de la sonde extérieure utilisée pour mesurer la température de la viande.

« SDOWN » s'affichera sur l'écran lorsque le bouton de commande est placé en position SHUTDOWN. Après 10 minutes, l'écran numérique et le système de ventilation se couperont.

« SENSR » s'affichera sur l'écran lorsqu'une erreur se produit avec le capteur de température à l'intérieur du barbecue.

« PRERR » s'affichera sur l'écran lorsque vous appuyez sur le bouton de la température de la sonde et qu'aucune sonde extérieure n'est reliée ou qu'il y a un problème avec la sonde. « FEED » s'affichera sur l'écran lorsque le bouton de commande est placé en mode FEED. La vis sans fin de transport s'éteindra après 7 minutes.

« BPASS » s'affichera sur l'écran lorsque vous appuyez sur le bouton Bypass et le maintenez enfoncé pendant 3 secondes. Voir le réglage du mode Bypass.

« FLAME » s'affichera sur l'écran lorsque l'incendie est éteint.

## CONSIGNES DE PRÉUTILISATION

Nous vous suggérons de faire fonctionner le barbecue à 176°C (350°F) à vide pendant une demi-heure avant de cuisiner avec pour la première fois. Ceci permettra de brûler les huiles de fabrication et de durcir la peinture. S'assurer de suivre les consignes de remplissage de la cavité de la vis sans fin de transport avant de suivre les consignes de préutilisation.

## ⚠ CAUTION

Toujours commencer le grill avec le couvercle ouvert. Le couvercle doit être fermé après l'démarrer le cycle.

## CUISSON

Lorsque la cavité de la vis sans fin est bien remplie, vous pouvez commencer à cuisiner en sélectionnant l'une des températures de cuisson. Le barbecue possède 13 réglages de cuisson : Low Smoke, High Smoke, 175, 200, 225, 250, 275, 300, 325, 350, 375, 400 et High. Il vous suffit de sélectionner l'un de ces réglages et le barbecue se placera en mode d'allumage. L'écran numérique affichera « START » pendant le cycle d'allumage qui dure 8 minutes. Après les 8 minutes, l'écran numérique affichera la température interne du barbecue. Le bouton de commande peut être déplacé à tout moment pendant le cycle d'allumage sur n'importe lequel des 13 réglages de cuisson.

## ⚠ AVERTISSEMENT

Ne pas surchauffer le barbecue en plaçant trop de granules dans le brûleur avant la mise en marche. En cas d'extinction d'une flamme par inadvertance, ne jamais remettre le barbecue en marche sans nettoyer le brûleur au préalable. Une mauvaise utilisation peut provoquer un incendie de très grande ampleur.

## SHUTDOWN

Lorsque la cuisson est terminée, le bouton de commande doit être placé sur le réglage SHUTDOWN. L'écran numérique affichera « SDOWN ». Lorsque ce réglage est choisi, le système de ventilation continuera de fonctionner pendant 10 minutes pour finir de brûler les granules qui restent dans le brûleur et refroidir le barbecue. Après 10 minutes, l'affichage numérique et la vis sans fin se couperont. À ce stade, l'interrupteur principal devrait être placé en position Arrêt. Avant le grill peut être utilisé, l'interrupteur d'alimentation doit être éteint puis rallumé.

## ⚠ AVERTISSEMENT

Ne mettez pas l'appareil hors tension pendant que le grill est chaud.

## NETTOYAGE

Nettoyer les grilles à l'aide d'une brosse prévue à cet effet. Il convient d'effectuer ce nettoyage après chaque utilisation. Ne pas utiliser de produits nettoyants abrasifs ou pour fours sur les surfaces peintes du barbecue. Nettoyer ces surfaces à l'eau chaude savonneuse. Nettoyer périodiquement la lèchefrite, la gouttière et le tuyau d'évacuation des graisses. Une spatule peut être utilisée pour racler la graisse excédentaire. Continuer de nettoyer ensuite avec une brosse pour grille. Ne pas laisser la graisse s'accumuler sur la lèchefrite ou dans la gouttière ; des retours de flamme pourraient se produire à l'intérieur du barbecue. La lèchefrite peut aussi être recouverte d'un papier aluminium pour faciliter le nettoyage. S'assurer de ne pas bloquer le passage de la graisse de la lèchefrite vers la gouttière. S'assurer de ne pas bloquer le débit d'air vers le capteur de température situé sur le côté gauche du barbecue.

## DIAGNOSTIC DE PANNES

### LE BARBECUE REFUSE DE S'ALLUMER

Le barbecue refuse de s'allumer après avoir positionné l'interrupteur sur la position Marche.

1. S'assurer que le barbecue est branché sur une prise secteur alimentée. Vérifier le disjoncteur et/ou disjoncteur de fuite de terre. Vérifier le bon fonctionnement de la prise avec un autre appareil.
  2. Débrancher le barbecue et vérifier le fusible situé sur le panneau avant. Si celui-ci est brûlé, le remplacer par un fusible à fusion lente de 5,0 ampères de 250 volts de 5x20 mm. Le fusible porte habituellement le marquage T5AL250V. S'assurer qu'il s'agit bien d'un fusible à fusion lente. Les dimensions réelles du fusible sont de 5,2 x 20 mm.
- Si le problème persiste, veuillez appeler le service à la clientèle



## LE BARBECUE NE CHAUFFE PAS OU L'ÉCRAN NUMÉRIQUE AFFICHE LE TERME « FLAME ».

1. Couper le courant.
  2. Vérifier si le réservoir contient des granules.
  3. Vérifier si la chambre de combustion contient des granules.
- Pour ce faire, il suffit simplement de tirer la tige de nettoyage du brûleur.

Enlever ensuite le récipient à cendres en dessous du barbecue et vérifier s'il y a des granules. À l'aide d'un aspirateur, nettoyer les granules qui pourraient se trouver dans le fond du barbecue.

A. Si le récipient à cendres contient beaucoup de granules, replacer le récipient à cendres et fermer la zone de nettoyage du brûleur, enlever les grilles du barbecue, la lèchefrite et le déflecteur de chaleur et aspirer les granules qui pourraient se trouver dans le fond du barbecue. Essayer de rallumer le barbecue. Si vous ne parvenez pas à rallumer le barbecue et que les granules arrivent dans la zone du brûleur, il conviendra sans doute de remplacer la bougie d'allumage.

B. Si la zone du brûleur ne contient plus que quelques granules ou est vide, placer le bouton de commande sur la position FEED et vérifier si les granules tombent dans le fond du brûleur. S'il n'y a plus de granules, vérifier si la vis sans fin tourne. Lorsque le moteur de la vis fonctionne mais que la vis ne tourne pas, il se peut que l'axe de la vis soit sectionné. Pour vérifier si le moteur de la vis sans fin tourne, il suffit de regarder le petit ventilateur blanc qui se trouve à l'extrémité du moteur de la vis sans fin en dessous du réservoir à granules. Lorsque le ventilateur blanc fonctionne, cela signifie que le moteur est allumé. Si le ventilateur blanc fonctionne mais que la vis ne tourne pas, il faut remplacer l'axe de la vis sans fin.

Si le problème persiste, veuillez appeler le service à la clientèle.

## LED CLIGNOTE EN ROUGE

1. Tournez la mise hors tension et débranchez le grill.
2. Vérifier pour s'assurer que le capteur à l'intérieur de la grille est correctement connecté à la carte électronique sous la trémie.
3. Service à la clientèle 3 d'appel pour le capteur de remplacement.

