

## LIMITED WARRANTY

To activate warranty, register on-line at: [www.CampChef.com](http://www.CampChef.com)

The manufacturer warrants stove components (except paint and finish) to be free from defect in materials and workmanship for 1 year from the date of purchase. All accessories (included with stove or purchased separately) are warranted from defect in materials and workmanship for 90 days from the original purchasing date. Within these periods, the manufacturer will replace or repair defective parts deemed unusable from its original intent by making available the parts thereof FOB Logan, UT 84321

Product paint and finish is not warranted. The exterior finish of the product will wear down over time.

Clean the unit after each use to maintain the finish and prolong the life of your product. Wipe away all grease and ashes. Keep metal products free of moisture, salts, acids and harsh fluctuations in temperatures.

Warranty does not cover normal wear of parts or damage caused by misuse, abuse, overheating and alteration. Repairs or alterations made by anyone other than Camp Chef are not covered in this Warranty. Manufacturer will not be held liable for any losses due to neglectful operation. Furthermore, this Warranty does not cover damaged caused by natural disasters such as earthquakes, hurricanes, tornadoes, floods, lightning, fires, etc.

Upon the expiration of this warranty all such liability will terminate. No other warranties are expressed or implied.

Keep all original sales receipts. Proof of purchase is required to obtain Warranty services. Prior written approval and a Return Authorization Number must be obtained and accepted for repair or replacement only. Returns must be shipped prepaid. Collect shipment or shipments without a Return Authorization Number will not be accepted.

To obtain Warranty services call 1.800.650.2433.  
\*Warranty applies to the contiguous US states only.

## GARANTIE LIMITÉE

Pour activer la garantie, s'inscrire en ligne sur [www.campchef.com](http://www.campchef.com).

Le fabricant garantit que les composants du feu de camp portatif (à l'exception de la peinture et des finitions) sont exempts de défauts de matériaux ou de fabrication pendant un an à partir de la date d'achat. Tous les accessoires (compris avec le feu de camp portatif ou achetés séparément) sont garantis contre tout défaut de matériaux ou de fabrication pendant 90 jours à partir de la date d'achat initiale. Durant ces périodes, le fabricant s'engage à remplacer ou réparer les pièces défectueuses considérées comme étant inutilisables par rapport à l'usage auquel elles étaient initialement destinées et qui auront été fournies FAB à Logan, UT 84321, États-Unis.

La peinture et la finition du produit ne sont pas garanties. La finition extérieure du produit s'use avec le temps.

Nettoyer l'appareil après chaque utilisation afin d'en préserver la finition et d'en prolonger la durée de vie. Essuyer les traces de graisse et les cendres. Protéger les produits métalliques contre l'humidité, les sels, les acides et les fortes fluctuations de température.

La garantie ne couvre pas l'usure normale des pièces ou les dommages causés par une mauvaise utilisation, les abus, la surchauffe ou les modifications. Toute réparation ou modification effectuée par quiconque d'autre que Camp Chef n'est pas couverte par la présente garantie. Le fabricant ne peut être tenu responsable de toute perte due à une utilisation entachée de négligence. De plus, la présente garantie ne s'étend pas aux dommages causés par des catastrophes naturelles telles que tremblements de terre, ouragans, tornades, inondations, foudre, incendie, etc.

La responsabilité du fabricant prend fin à l'expiration de la garantie. Il n'existe aucune autre garantie expresse ou implicite.

Conserver toutes les factures d'origine. Une preuve d'achat est requise pour toute réclamation en vertu de la garantie. Obtenir au préalable une autorisation écrite et un numéro d'autorisation de retour de marchandise. Expédier tout retour port payé. Les envois en port dû et/ou sans numéro d'autorisation de retour de marchandise ne sont pas acceptés.

Pour obtenir des services sous garantie, appeler le 1 800 650-2433.

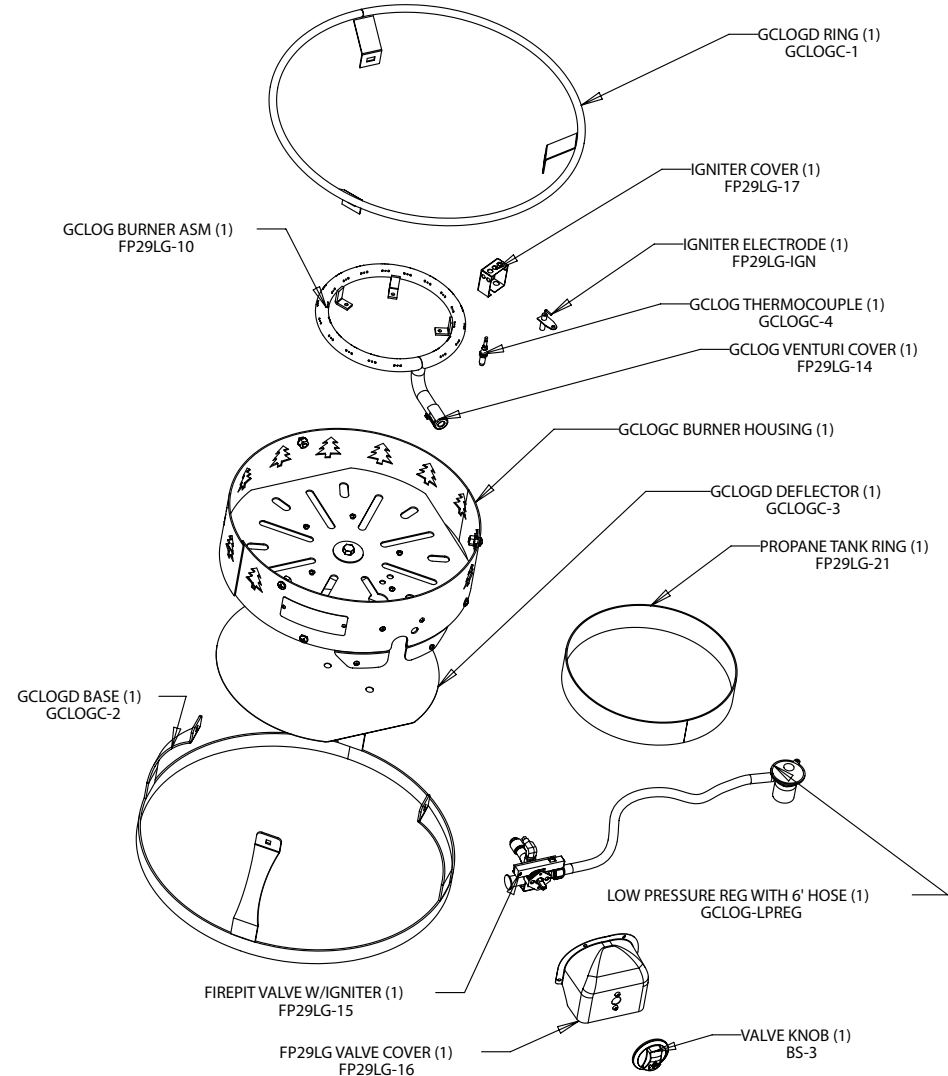
\*La garantie s'applique aux états américains contigus uniquement.



## PARTS LIST

MODEL - GCLOGC

ITEMS NOT SHOWN  
QTY 1 - CARRY BAG (GCLOGC-BAG)  
12 POUNDS LAVA ROCK



**MODEL #: GC-LOGC  
PROPANE FIRE RING**

0810-GCLOGC-PARTS

Warning & Instruction Booklet

Po Box 4057 • Logan, UT 84323 • 1.800.650.2433 • [www.campchef.com](http://www.campchef.com)

1110-GCLOGD-Instructions

## **! DANGER**

If you smell gas:

1. Shut off gas to the appliance.
2. Extinguish any open flame.
3. If odor continues, keep away from the appliance and immediately call your gas supplier or fire department.

## **! WARNING**

Do not store or use gasoline or other liquids with flammable vapors in the vicinity of this or any other appliance. An LP cylinder not connected for use shall not be stored in the vicinity of this or any other appliance.

## **CARBON MONOXIDE HAZARD**

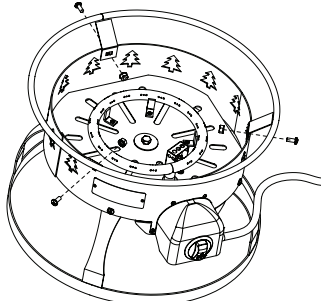
This appliance can produce carbon monoxide which has no odor. Using it in an enclosed space can kill you. Never use this appliance in an enclosed space such as a camper, tent, car or home.

## **! DANGER**



### **ASSEMBLY INSTRUCTIONS -**

1. Connect the top ring to the fire pit using the 3 supplied bolts and screws as shown in Figure 1. Note the brackets should go on the inside of the fire pit.



2. Arrange the 12 pounds of lava rock around the burner. For a more realistic looking flame arrange the rock to cover most of the burner. Be careful not to allow any rock to come between the igniter electrode and the burner. (See Fig 2)

Fig 2



## **! WARNING**

For Outdoor Use Only.

## **! WARNING**

If the information in this manual is not followed exactly, a fire or explosion may result causing property damage, personal injury or loss of life.

## **! WARNING**

Improper installation, adjustment, alteration, service or maintenance can cause injury or property damage. Read the installation, operating and maintenance instructions thoroughly before installing or servicing this equipment.

### **WHAT TO DO IF YOU SMELL GAS.**

- Do not try to light any appliance.
- Do not touch any electrical switch; do not use any phone in your building.
- Immediately call your gas supplier from a neighbor's phone. Follow the gas supplier's instructions.
- If you cannot reach your gas supplier, call the fire department. Installation and service must be performed by a qualified installer, service agency or gas supplier.

## **WARNING**

DO NOT use this fire pit in a manner other than its intended purpose. Not intended for commercial use. Not intended to be installed or used in or on a recreational vehicle or boat. Keep a fire extinguisher accessible at all times. The use of alcohol, prescription or nonprescription drugs may impair the consumer's ability to properly assemble or safely operate this fire pit. Solid fuels shall not be burned in this gas fireplace.

### **FOR OUTDOOR USE ONLY!**

Do not operate the fire pit indoors, in a garage, or in any other enclosed area or under overhead construction. Do not operate fire pit near flammable materials such as decks, fences, porches or carports. A minimum clearance range of 72" inches is recommended. Do not use the fire pit near gasoline or other combustible liquids or where combustible vapors may be present.

Children and adults should be alerted to the hazards of high surface temperatures and should stay away to avoid burns or clothing ignition. Young children should be carefully supervised when they are in the area of the appliance. Clothing or other flammable materials should not be hung from the appliance, or placed on or near the appliance. Any guard or other protective device removed for servicing the appliance must be replaced prior to operating the appliance.

Installation and repair should be done by a qualified service person. The appliance should be inspected before use and at least annually by a qualified service person. More frequent cleaning may be required as necessary. It is imperative that control compartment, burners and circulating air passageways of the appliance be kept clean.

Use caution when assembling and operating fire pit to avoid cuts and scrapes from rough or sharp edges.

DO NOT move the fire pit while it is in use. Allow the fire pit to cool completely before moving or storing.

When in use, the fire pit must be on a level, stable surface in an area clear of combustible material. An asphalt surface (blacktop) may not be acceptable for this purpose. Do not operate fire pit on flammable material such as carpet or a wood deck. Store the fire pit in a dry, protected location.

This fire pit is not intended for and should never be used as a heater.

DO NOT leave fire pit unattended while in use. Operate the fire pit with close supervision.

DO NOT operate around children or animals.

DO NOT bump or tip fire pit. If fire pit becomes extremely hot, allow fire pit to cool completely before handling. If you must handle the fire pit while it is hot, always wear protective oven mitts or heat resistant gloves when handling the fire pit or its components.

DO NOT obstruct flow of combustion air and/or ventilation air for fire pit.

DO NOT wear loose clothing while operating the fire pit. Tie back long hair while operating the fire pit. ALWAYS wear fully covering shoes while operating the fire pit.

Allow fire pit and its components to cool completely before conducting any routine cleaning or maintenance. Do not move the fire pit when in use. Allow the fire pit to cool before moving or storing.

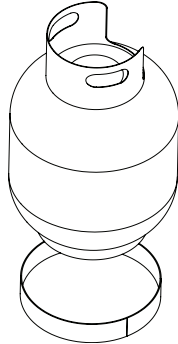
DO NOT use this appliance if any part has been under water. Immediately call a qualified service technician to inspect the appliance and to replace any part of the control system and any gas control which has been under water.

An LP cylinder not connected for use should not be stored in the vicinity of fire pit or any other fire pit. Do not store spare LP cylinders within 10 feet of fire pit. LP cylinders must be stored outdoors, out of reach of children. Do not store a spare LP-gas cylinder under or near this fire pit. Never fill the cylinder beyond 80 percent full. Failure to follow these instructions exactly could result in a fire causing death or serious injury.

While the fire pit is not in use, the gas must be turned off at the supply cylinder. The fire pit should be shut off and all supply valves (on piping or on fuel cylinders) should be closed in the event that the odor of unburned gas is detected. Do not attempt to use the unit until any gas leaks are fixed. Do not use the fire pit if the burner fails to light or fails to remain lit. Under such conditions, gas should be shut off and fuel cylinders should be disconnected.

Do not operate under high wind conditions. All installations are to conform to local codes. In the absence of local codes, installation should conform to the National Fuel Gas Code, ANSI Z223.1/NFPA 54

Fire pit should be installed with the hose regulator assembly extended at full length of hose directly away from the burner. When so configured, placement in maximum tank to fire pit distance. When fire pit is operated, the hose/regulator and gas tank should be on a line perpendicular to wind direction. Placing tank closer than 48" to the fire pit can overheat the tank and cause release of propane through relief openings and can result in tank fire or explosion.



Propane tank must be set inside of the included tank support ring. Do not use fire pit if tank is not inside of support ring or with the tank in the incorrect position.

### CONNECTING THE LP TANK

1. The knob on the LP tank must be closed. See that the knob is turned clockwise to a full stop.
2. Check that the control knob on the fire pit is turned off.
3. Remove the protective cap from the LP tank valve and coupling nut, if present.
4. Hold the regulator in one hand and insert the nipple into the valve outlet. Be sure the nipple is centered in the valve outlet. The coupler connects to the large outside threads on the valve outlet
5. Hand tighten the coupler clockwise until it comes to a full stop. Firmly tighten by hand only.
6. Place the tank to the side or rear of the fire pit. Make sure the hose does not touch any part of the burner drum housing.



(B) Nipple has to be centered into the LP tank valve



(C) Hold coupling nut and regulator as shown for proper connection to LP tank valve

The fire pit is to be used only with the 20 pound, vertical standing vapor withdrawal type tank. This fire pit is designed to operate on LP (Liquefied Propane) gas only. The 20 lb LP cylinder used with this fire pit must conform to the following requirements:

- Type 1 Connections

- Diameter - 12" (30.5cm)
- Height - 18" (45.7cm)
- Maximum capacity of 20 pounds

The gas cylinder used must include a collar to protect the cylinder valve. The cylinder supply system must be arranged for vapor withdrawal. Follow the instructions stated on gas cylinder tanks when filling or transporting tanks. Failure to do so could result in problems relating to overfilling, excessive venting release of gas and to regulator freezing. Never fill the cylinder more than 80 percent full.

### CAUTION

In the connection process, the HVR side of the connection will seal on the back check in the valve, resulting in a slight resistance. The connection requires about one-half to three quarters additional turn to complete connection. Any fuel supply cylinder used must be constructed and marked in accordance with specifications for propane cylinders of the U.S. Department of Transportation (DOT) CFR 49 or CAN/CSA B339.

Do not allow dirt or foreign material to get into or onto tank connection when it is not attached to the fuel supply system. Use the protective cap provided. Place dust cap on cylinder valve outlet whenever the cylinder is not in use. Only install the type of dust cap on the cylinder valve outlet that is provided with the cylinder valve. Other types of caps or plugs may result in leakage of propane. Cylinders must be filled before initial use. All handling, transport, filling and storage of LP gas cylinders must be in accordance with NFPA 58 Storage and Handling of Liquid Petroleum Gases, or CAN/CSA b149.2 Propane Installation Code.

### CAUTION

The gas pressure regulator provided with this appliance must be used. This regulator is set for an outlet pressure of 11" H2O. Replacement pressure regulators and hose assemblies must be those specified by the fire pit manufacturer. See rating sticker on side of fire pit for regulator model number. The regulator/hose assembly should be handled carefully to prevent contamination by foreign objects and dirt. The assembly should be inspected before use and any dirt or contamination should be wiped off. The hose assembly must be replaced prior to the appliance being used if there is any evidence of excessive abrasion or wear, or if the hose is damaged. In order to insure proper operation, any replacement of the regulator assembly must be with parts authorized by manufacturer. Valve/pressure regulators are factory set to the correct operating pressures. No attempts should be made to adjust these settings.

Cylinders must be suitably tied down during transport. Do not place any other items on top of cylinders at any time.

Cylinders are not to be exposed to excessive temperatures or high heat. Refer to the data plate for model identification. Units are factory equipped for use on only one type of fuel. These units cannot be, and should not be used on other types of fuels. Doing so can cause severe damage to the unit and the installation area and the added risk of serious injury. Any attempt to operate this product on fuels for which it is not designed voids the manufacturer's warranty.

This unit is not to be utilized with a non-self-contained LP-gas supply system.

### CHECKING FOR LEAKS

1. After all connections are completed, check all connections and fittings for leaks with a soap solution.
2. With all valves closed, apply the leak check solution (50/50 mix of dish washing soap detergent and water) to all gas carrying connections and fittings.
3. Open tank valve. Presence of bubbles at areas of wet solution indicates a gas leak. If leaks are detected or you smell or hear gas, shut off the valve and repair the leak or replace the defective part.

Do not use the fire pit until all leaks are corrected.

### CAUTION

The burner must be inspected before each use of the appliance. If it is evident that the burner is damaged it must be replaced before the appliance is put into use. The burner must be replaced only by factory authorized parts as specified by the manufacturer.

Care should be taken to protect the fuel supply hose from damage from either foot or vehicle traffic. If the fire pit is not in use, the gas must be turned off at the supply cylinder and the cylinder should be disconnected from the fire pit. Storage of the fire pit indoors is only permissible if the cylinder is disconnected and removed from the fire pit.

### OPERATING INSTRUCTIONS

#### Lighting Procedures

1. Check all connections for leaks using the "soapy water" test.
2. Check for any blockage to the venturi tube or burner. Remove any foreign objects or matter.
3. Be sure the burner control knob is "OFF".
4. Open the LP cylinder valve ONLY 1-1/2 turns by turning counterclockwise.
5. Push knob in and turn slowly to the high position. Ignitor will spark and gas will ignite.

Wait 15 seconds after ignition before releasing knob. If flame does not ignite immediately, turn the gas valve off and wait 5 minutes before attempting to relight. If fire pit does not light, check ignition electrode wire. Turn gas off at the supply cylinder. Check spark gap and make sure wire is 1/8" from burner port. Make sure rock isn't touching the ignitor wire. Turn knob slowly to high and watch for spark. Once electrode is working properly relight the appliance. If flame is extinguished, wait 5 minutes before relighting. Failure to follow these instructions exactly could result in fire, serious injury or death.

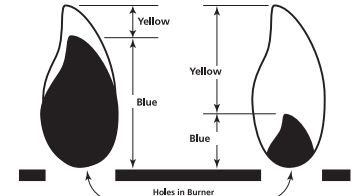
### CAUTION

The fire pit can become very hot while in use. Do not touch any portion of the fire pit except for the control knob next to the regulator. It may be necessary to use protective gloves.

### SHUTTING THE FIRE PIT OFF

Turn the control knob at the regulator off by turning clockwise. The burner flame should then go out. Turn off the LP cylinder valve by turning the knob clockwise until it stops. Follow instructions in this manual for proper storage procedures and the important warnings and safe guards on pages. When an LP tank is not connected, and to help prevent dirt or other foreign particles from clogging the HVR, hang the end of the HVR hose from the outer ring. Inspect the flame at the burner to ensure a proper flame.

To protect your fire pit from weather, always keep your fire pit covered while not in use. The cover must be removed and stored safely away from the fire pit when the fire pit is in use.



### CLEANING

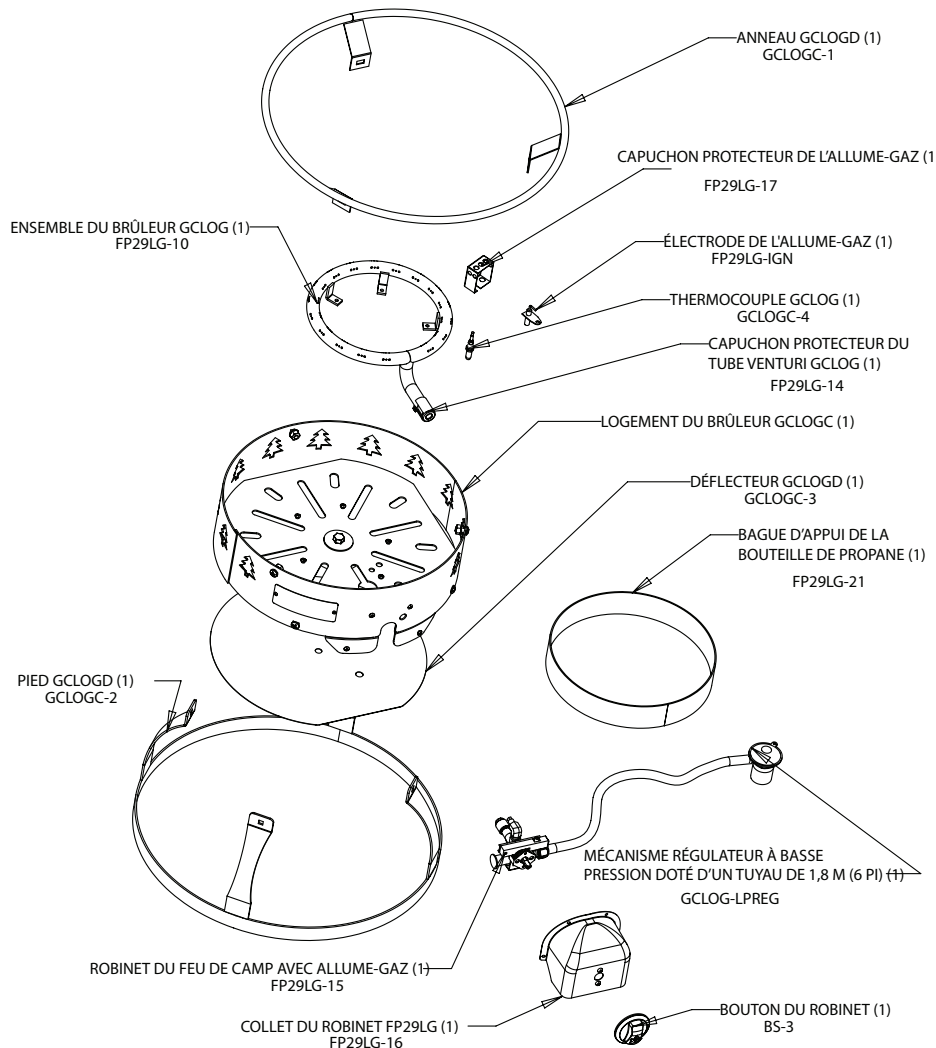
Clean the stand of the fire pit using hot soapy water. High temperature spray paint can be used to touch up any scratches in the paint. Use a wire brush to remove any loose paint before touching up. Make sure to dry thoroughly before use. The rocks can be removed from the fire pit and cleaned using soapy water or sprayed off using a hose sprayer. The outside of the burner may be wiped clean using soapy water. A pipe cleaner can be used to remove any spider webs from the venturi tube.



**LISTE DES PIÈCES**

MODEL - GCLOGC

ARTICLES NON ILLUSTRÉS  
QUANTITÉ : 1 - SAC DE TRANSPORT (SAC GCLOGC)  
5,4 KG (12 LIVRES) DE PIERRES DE LAVES



0810-GCLOGC-PARTS-FR

**MODEL #: GC-LOGC**  
**FEU DE CAMP PORTATIF AU PROPANE**

Notice d'utilisation et avertissements

Po Box 4057 • Logan, UT 84323 • 1.800.650.2433 • www.campchef.com

**⚠ DANGER**

Si vous sentez une odeur de gaz :

1. Couper l'admission de gaz de l'appareil.
2. Éteindre toute flamme nue.
3. Si l'odeur persiste, se tenir à distance de l'appareil et appeler immédiatement votre fournisseur de gaz ou le service d'incendie.

**⚠ AVERTISSEMENT**

Ne jamais entreposer ou utiliser d'essence ou d'autre liquide inflammable à proximité du présent appareil ou de tout autre appareil. Ne pas entreposer de bouteille de GPL non raccordée à proximité du présent appareil ou de tout autre appareil.

**DANGERS DU MONOXYDE DE CARBONE**

Le présent appareil peut produire du monoxyde de carbone qui est indolore. L'utiliser dans un espace confiné peut vous tuer. Ne jamais utiliser le présent appareil dans un endroit confiné comme une caravane, une tente, un véhicule ou une maison.

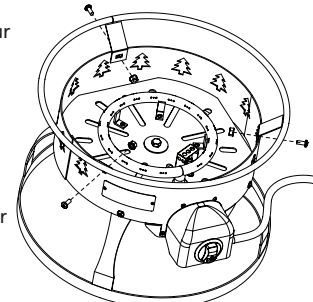
**⚠ DANGER**



**CONSIGNES DE MONTAGE**

1. Raccorder l'anneau supérieur au feu de camp à l'aide des 3 boulons fournis comme illustré sur la figure 1. Les trois supports doivent être placés à l'intérieur du feu de camp.

2. Disposer les 5,4 kg (12 livres) de pierres de lave autour du brûleur. Pour obtenir une apparence plus réaliste de la flamme, disposer les pierres de sorte à recouvrir la plus grande partie du brûleur. Veiller à faire en sorte qu'aucune pierre ne soit directement disposée entre l'électrode de l'allume-gaz et le brûleur. (Voir figure 2.)



**⚠ AVERTISSEMENT**

Pour usage en plein air uniquement.

**⚠ AVERTISSEMENT**

Le non-respect à la lettre des consignes de la présente notice peut entraîner des dommages matériels, des blessures graves ou la mort résultant d'un incendie ou d'une explosion.

**⚠ AVERTISSEMENT**

Un montage, un réglage, une modification, une réparation ou un entretien impropres peuvent provoquer des blessures graves ou des dommages matériels. Lire attentivement les consignes de montage, d'utilisation et d'entretien avant de monter le présent appareil ou d'en faire son entretien

Fig 2



## QUE FAIRE SI VOUS SENTEZ UNE ODEUR DE GAZ

- Ne tenter d'allumer aucun appareil.
- Ne toucher aucune prise électrique ; ne se servir d'aucun téléphone de votre habitation.
- Appeler immédiatement votre fournisseur de gaz en vous servant du téléphone d'un voisin. Suivre les consignes du fournisseur de gaz.
- Si vous ne parvenez pas à joindre votre fournisseur de gaz, appeler le service d'incendie. Le montage et l'entretien doivent être effectués par un installateur, un technicien ou un fournisseur de gaz qualifié.

### AVERTISSEMENT

NE PAS utiliser le feu de camp d'une autre façon que l'usage pour lequel il est prévu. Le présent appareil n'est pas destiné à un usage commercial. Il n'est pas destiné à être installé ou utilisé dans des véhicules de camping ou sur des bateaux. Garder un extincteur à portée de main à tout moment. La consommation d'alcool ou de médicaments obtenus ou non sur ordonnance, risque de diminuer la faculté du consommateur de monter correctement l'appareil et de l'utiliser en toute sécurité. Les combustibles solides ne peuvent pas être brûlés dans le présent feu de camp au gaz.

### POUR USAGE EN PLEIN AIR UNIQUEMENT

Ne pas utiliser le feu de camp à l'intérieur, dans un garage ou tout autre endroit confiné ou sous une structure surplombante. Ne pas faire fonctionner le feu de camp à proximité de corps inflammables comme les terrasses, les clôtures, les porches ou les abris de voiture. Il est recommandé de maintenir un dégagement minimal de 1,8 m (72 po). Ne pas utiliser le feu de camp à proximité d'essence ou d'autre liquide combustible ou dans des endroits où des vapeurs combustibles peuvent être présentes.

Instruire les enfants et les adultes sur les dangers liés aux températures de surface élevées et la nécessité de rester éloigné pour éviter les brûlures ou la mise à feu de leurs vêtements. Les jeunes enfants doivent être étroitement surveillés lorsqu'ils se trouvent à proximité de l'appareil. Les vêtements ou d'autres corps inflammables ne doivent pas être suspendus au-dessus de l'appareil ou être placés à proximité de celui-ci. Toute grille ou tout autre dispositif de protection enlevé pour effectuer l'entretien de l'appareil doit être replacé avant de faire fonctionner l'appareil.

Le montage et les réparations doivent être effectués par un technicien qualifié. L'appareil doit être inspecté avant d'être utilisé et au moins une fois par an par un technicien qualifié. Un nettoyage plus fréquent peut s'avérer nécessaire le cas échéant. Il est impératif que la zone de réglage, le brûleur et les passages pour la circulation de l'air de l'appareil restent propres.

User de prudence lors du montage et de l'utilisation du feu de camp pour éviter de vous couper ou de vous égratigner sur les bords bruts ou tranchants.

NE PAS déplacer le feu de camp lorsqu'il sert. Laisser refroidir le feu de camp complètement avant de le déplacer ou de l'entreposer.

Pendant l'utilisation, le feu doit être sur une surface stable et de niveau dans un endroit où ne se trouve aucun corps combustible. Une surface en asphalte (revêtement noir) ne convient pas pour la présente utilisation. Ne pas faire fonctionner le feu de camp sur des corps inflammables comme un tapis ou une terrasse en bois. Entreposer le feu de camp dans un endroit sec et protégé.

Le présent feu de camp n'est pas conçu pour être un appareil de chauffage et ne peut jamais être utilisé à cette fin.

NE PAS laisser fonctionner le feu de camp sans surveillance. Faire fonctionner le feu de camp sous surveillance étroite.

NE PAS faire fonctionner à proximité d'enfants ou d'animaux.

NE PAS donner de coup au feu de camp ou renverser celui-ci. Si le feu de camp devient excessivement chaud, le laisser refroidir complètement avant de le manipuler. Si vous devez manipuler le feu de camp pendant qu'il est encore chaud, toujours utiliser des gants isolants ou des gants antichaleur lors de la manipulation de celui-ci ou de ses composants.

NE PAS gêner le flux d'air de combustion et/ou de ventilation du feu de camp.

NE PAS porter de vêtements amples lors de l'utilisation du feu de camp. Attacher les longs cheveux lors de l'utilisation du feu de camp. TOUJOURS porter des chaussures complètement fermées lors de l'utilisation du feu de camp.

Faire refroidir le feu de camp et ses composants complètement avant d'effectuer un nettoyage ou un entretien de routine. Ne pas déplacer le feu de camp pendant son utilisation. Laisser refroidir le feu de camp complètement avant de le déplacer ou de l'entreposer.

NE PAS utiliser le présent appareil si une partie a été submergée dans l'eau. Appeler immédiatement un technicien qualifié pour inspecter l'appareil et pour remplacer toute pièce du système de réglage et de réglage du gaz qui a été submergée dans l'eau.

Ne pas entreposer de bouteille de GPL non

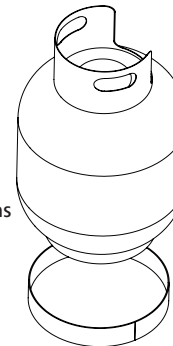
raccordée à proximité du présent feu de camp ou de tout autre feu de camp. Ne pas entreposer de bouteille de GPL de réserve à moins de 3 m (10 pi) du feu de camp. Les bouteilles de GPL doivent être entreposées à l'extérieur, hors de portée des enfants. Ne pas entreposer de bouteille de GPL de réserve en dessous du présent feu de camp ou à proximité de celui-ci. Ne jamais remplir la bouteille à plus de 80 pour cent de sa capacité maximale. Le non-respect à la lettre des présentes consignes peut provoquer la mort ou de graves blessures dues à un incendie.

Lorsque le feu de camp n'est pas utilisé, l'alimentation au gaz doit être éteinte au niveau de la bouteille de gaz. Le feu de camp doit être éteint et tous les robinets d'alimentation (au niveau des conduites ou des bouteilles de gaz) doivent être fermés si une odeur de gaz non brûlé est décelée. Ne pas tenter d'utiliser l'appareil avant d'avoir corrigé toutes les fuites de gaz. Ne pas utiliser le feu de camp si le brûleur refuse de s'allumer ou de rester allumé. Si ce cas se produit, le gaz doit être éteint et les bouteilles de gaz doivent être déconnectées.

Ne pas faire fonctionner par grand vent. Tous les montages doivent être conformes aux codes en vigueur. En l'absence de code, le montage doit être conforme à la norme NFPA (National Fuel Gas Code) n° ANSI Z223.1/NFPA 54.

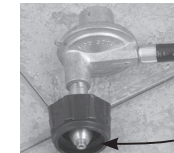
Le feu de camp doit être monté de sorte que l'ensemble du détendeur se trouve à distance maximale du brûleur, c'est-à-dire avec le tuyau du mécanisme régulateur à basse pression déployé sur toute sa longueur. Dans ladite configuration, la bouteille de gaz se trouve donc à la distance maximale du feu de camp. Pendant le fonctionnement du feu de camp, le tuyau/le détendeur et la bouteille de gaz doivent être placés perpendiculairement par rapport à la direction du vent. Placer la bouteille de gaz à une distance inférieure à 1,2 m (48 pi) du feu de camp peut entraîner une surchauffe du réservoir et provoquer une fuite de propane via les ouvertures d'échappement, ce qui peut provoquer un incendie ou une explosion de la bouteille.

La bouteille de propane doit être placée à l'intérieur de la bague d'appui de la bouteille fournie. Ne pas utiliser le feu de camp si la bouteille ne se trouve pas à l'intérieur de la bague d'appui ou si la bouteille ne se trouve pas dans la position correcte.



## RACCORDEMENT DE LA BOUTEILLE DE GPL

1. Le bouton sur la bouteille de GPL doit être fermé. Vérifier qu'il est tourné à fond dans le sens des aiguilles d'une montre.
2. Vérifier que le bouton de commande du feu de camp est fermé.
3. Enlever le collet du robinet de la bouteille de GPL et l'écrou de raccordement, si présent.
4. Tenir le détendeur d'une main et insérer le raccord fileté dans la sortie de robinet. S'assurer que le raccord fileté est bien centré dans la sortie de robinet. L'écrou de raccordement est relié au filet extérieur plus grand sur la sortie du robinet.
5. Serrer l'écrou de raccordement à la main en le tournant à fond dans le sens des aiguilles d'une montre. Serrer à la main uniquement mais fermement.
6. Placer la bouteille à côté ou derrière le feu de camp. S'assurer que le détendeur ne touche aucune partie du logement circulaire du brûleur.



(B) Le raccord fileté doit être centré dans le robinet de la bouteille de GPL.



(C) Maintenir l'écrou de raccordement et l'adaptateur comme illustré pour effectuer un raccordement correct avec le robinet de la bouteille de GPL.

Le feu de camp doit uniquement être utilisé avec une bouteille de gaz de 9 kg (20 livres) disposée verticalement de manière à permettre l'évacuation des vapeurs. Le présent feu de camp est conçu pour fonctionner avec du gaz GPL (propane liquéfié) uniquement. La bouteille de 9 kg (20 livres) de GPL utilisée avec le présent feu de camp doit être conforme aux exigences suivantes :

- Raccordements de type 1
- Diamètre - 30,5 cm (12 po)
- Hauteur - 45,7 cm (18 po)
- Capacité maximale de 9 kg (20 livres)

La bouteille de gaz utilisée avec le présent feu de camp doit être munie d'un collet pour protéger le robinet de la bouteille. Le système d'alimentation de la bouteille doit être installé de manière à permettre l'évacuation des vapeurs.

Suivre les consignes inscrites sur les bouteilles de gaz lors du remplissage ou du transport de celles-ci. Le non-respect de la présente consigne entraîne un risque en cas de décharge de gaz à partir de la soupape de sécurité et la formation de givre sur le détendeur. Ne jamais remplir la bouteille à plus de 80 % de sa pleine capacité.

## ATTENTION

Au cours du processus de raccordement, le raccordement du détendeur adhèrera hermétiquement à la valve de sécurité de la bouteille, ce qui provoquera une légère résistance. Le raccordement nécessite un demi à trois quarts de tour supplémentaire pour terminer le raccordement. Toute bouteille de gaz doit être fabriquée et étiquetée conformément aux spécifications relatives aux bouteilles de propane du Département des transports américain (DOT)CFR 49 ou de la norme canadienne CAN/CSA B339.

Ne pas permettre l'introduction de saleté ou de corps étrangers dans le raccordement à la bouteille lorsqu'il n'est pas rattaché au système d'alimentation. Utiliser le collet fourni. Placer le capuchon de protection contre les poussières sur la sortie du robinet de la bouteille lorsque celle-ci n'est pas utilisée. Installer uniquement le type de capuchon de protection contre la poussière sur la sortie du robinet de la bouteille qui est fourni avec le robinet de la bouteille. D'autres types de collets ou de bouchons peuvent engendrer des fuites de propane. Les bouteilles doivent être remplies avant leur première utilisation. La manutention, le transport, le remplissage et l'entreposage des bouteilles de GPL doivent être conformes à la norme d'entreposage et de manutention de gaz de pétrole liquéfié NFPA 58 ou au code canadien sur le stockage et la manipulation du propane CAN/CSA b149.2.

## ATTENTION

Il faut utiliser le détendeur abaissant la pression du gaz fourni avec le présent appareil. Le détendeur est réglé pour une pression à la sortie de 2,74 kPa. Les détendeurs de remplacement et leurs tuyaux doivent être conformes aux spécifications du fabricant du feu de camp. Voir l'autocollant signalétique sur le côté du feu de camp pour le numéro de modèle du détendeur. L'ensemble détendeur/tuyau doit être manipulé soigneusement pour empêcher toute contamination par des corps étrangers et la saleté. Le montage doit être inspecté avant l'utilisation et toute saleté ou toute contamination doit être nettoyée. Le tuyau du détendeur doit être remplacé avant l'utilisation de l'appareil s'il existe des signes d'abrasion ou d'usure excessive ou de détérioration du tuyau. Afin de garantir un fonctionnement correct, tout remplacement de l'ensemble du détendeur doit être effectué avec des pièces autorisées par le fabricant. Les détendeurs/les robinets sont réglés en usine pour les pressions de fonctionnement correctes. **Ne pas tenter de modifier ces réglages.**

Les bouteilles doivent être correctement attachées durant le transport. Ne pas déposer

d'autres objets au-dessus des bouteilles à aucun moment.

Les bouteilles ne doivent pas être exposées à des températures excessives ou une chaleur élevée. Se référer à la plaque signalétique pour l'identification du modèle. Les appareils ne sont conçus que pour un type de combustibles. Ils ne peuvent donc pas être utilisés avec d'autres types de combustibles. Le faire peut fortement endommager l'appareil et la zone de montage, et augmenter le risque de blessures graves. Toute tentative de faire fonctionner le présent produit avec des combustibles pour lesquels il n'est pas prévu annule la garantie du fabricant.

Le présent appareil ne peut être raccordé à une conduite de gaz qui n'est pas directement raccordée à une bouteille de GPL.

## VÉRIFICATION DES FUITES

1. Lorsque tous les raccordements sont terminés, vérifier la présence de fuite au niveau de tous les raccordements et joints avec une solution savonneuse.
2. Les robinets étant fermés, étendre la solution savonneuse (mélange 50/50 de détergent de vaisselle et d'eau) sur tous les joints et les raccordements.
3. Ouvrir le robinet de la bouteille. Si des bulles se forment aux endroits où la solution savonneuse est étendue, elles indiquent une fuite de gaz. Si des fuites sont décelées ou que vous sentez une odeur de gaz ou entendez un sifflement, fermer le robinet et réparer la fuite ou remplacer la pièce défectueuse.

Ne pas utiliser le feu de camp avant d'avoir réparé toutes les fuites.

## ATTENTION

Le brûleur doit être inspecté avant chaque utilisation de l'appareil. Si le brûleur présente des signes de défectuosité évidents, il doit être remplacé avant la mise en service de l'appareil. Le brûleur doit être remplacé uniquement par des pièces autorisées de l'usine, conformément aux spécifications du fabricant.

Il faut faire attention de protéger le tuyau d'alimentation du combustible contre des dommages causés par le déplacement de personnes ou de véhicules. Si le feu de camp n'est pas utilisé, le gaz doit être éteint au niveau de la bouteille de gaz et le réservoir doit être déconnecté du feu de camp. Le feu de camp ne peut être rangé à l'intérieur que si la bouteille est déconnectée et retirée de l'appareil.

## CONSIGNES DE FONCTIONNEMENT

Procédures d'allumage

1. Vérifier la présence de fuites au niveau

de tous les raccordements à l'aide du test d'étanchéité à l'eau savonneuse.

2. Vérifier la présence de toute obstruction au niveau du tube venturi ou du brûleur. Retirer tout corps étranger ou toute substance étrangère.
3. S'assurer que le bouton de commande du brûleur est en position OFF (ARRÊT).
4. Ouvrir le robinet de la bouteille de gaz GPL de 1-1/2 tours **UNIQUEMENT** en le tournant dans le sens contraire des aiguilles d'une montre.
5. Enfoncer le bouton de commande et le tourner lentement jusqu'à la position haute (high). L'allume-gaz donnera une étincelle et le gaz s'allumera. Attendre 15 secondes après l'allumage avant de relâcher le bouton. Si la flamme ne s'allume pas tout de suite, fermer le robinet de gaz et attendre 5 minutes avant de tenter un nouvel allumage. Si le feu de camp ne s'allume pas, vérifier le fil de l'électrode d'allumage. Éteindre le gaz au niveau du robinet de la bouteille. Vérifier l'espace au niveau de l'étincelle et s'assurer que le fil se trouve à 3 mm (1/8 po) du trou du brûleur. S'assurer qu'aucune pierre ne touche le fil de l'électrode. Tourner le bouton lentement vers la position high et attendre l'étincelle. Lorsque l'électrode fonctionne à nouveau normalement, rallumer l'appareil. Si la flamme s'éteint, attendre 5 minutes avec de rallumer. Le non-respect à la lettre des présentes consignes pourrait provoquer un incendie, des blessures graves ou la mort.

## ATTENTION

L'appareil peut devenir très chaud pendant son utilisation. Ne toucher aucune partie du feu de camp à l'exception du bouton de commande situé près du détendeur. Il peut être nécessaire de porter des gants de protection.

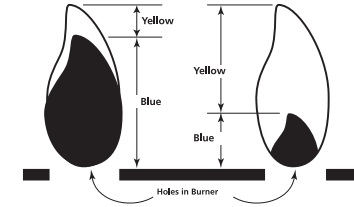
## ÉTEINDRE LE FEU DE CAMP

Tourner le bouton de commande au niveau du détendeur en le tournant dans le sens des aiguilles d'une montre. La flamme du brûleur doit alors s'éteindre. Fermer le robinet de la bouteille de gaz GPL en tournant à fond le bouton dans le sens des aiguilles d'une montre. Suivre les consignes de la présente notice pour les procédures d'entreposage correct et les mises en garde et avertissements importants. Lorsqu'une bouteille de GPL n'est pas raccordée, et pour éviter que la saleté et d'autres corps étrangers ne viennent boucher le raccordement du détendeur, suspendre l'extrémité du tuyau du détendeur au-dessus de la bague d'appui.

Inspecter la flamme au niveau du brûleur pour garantir une bonne flamme.

Pour protéger votre feu de camp des intempéries, le couvercle en permanence lorsqu'il ne sert pas. La protection doit être enlevée et

rangée à une bonne distance sécuritaire du feu de camp lorsque le feu de camp fonctionne.



## NETTOYAGE

Nettoyer le pied du feu de camp avec de l'eau savonneuse chaude. Une peinture au pistolet à haute température peut être utilisée pour traiter toutes grattes dans la peinture. Utiliser une brosse métallique pour retirer les écailles de peinture avant d'effectuer des travaux de retouche. Sécher correctement avant l'utilisation. Les pierres de lave peuvent être enlevées du feu de camp et nettoyées à l'eau savonneuse ou pulvérisées à l'aide d'un tuyau d'arrosage. L'extérieur du brûleur peut être nettoyé à l'eau savonneuse. Un cure-pipe peut être utilisé pour enlever les toiles d'araignée du tube venturi.