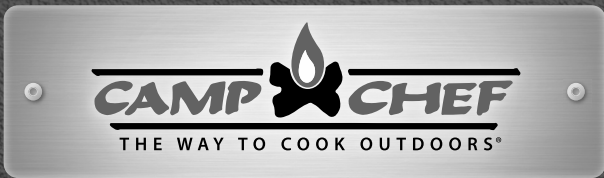


THIS INSTRUCTION MANUAL CONTAINS IMPORTANT INFORMATION NECESSARY FOR THE PROPER ASSEMBLY AND SAFE USE OF THIS PRODUCT.
 CETTE NOTICE CONTIENT DES RESEIGNEMENTS IMPORTANTS PERMETTANT UN ASSEMBLAGE ADÉQUAT ET À UNE UTILISATION SÉCURITAIRE DE L'APPAREIL.



PRO 90

Read and follow all warnings and instructions in included instruction manual before assembly and use of appliance.
 Lisez et suivez attentivement toutes les instructions dans le manuel d'instructions fourni avant le montage et l'utilisation de l'appareil.

Model GB90D

- Three 30,000 BTU Cast Burners
- Nickel-plated Cooking Surface
- Convenient Cooking Height
- Appliance-style Temperature Controls
- Two Folding Shelves
- Folding Legs
- Three Sided Windscreen



Tank Sold Separately

PRO 90 TROUBLESHOOTING

BURNERS WILL NOT IGNITE

1. Make sure there is propane in the tank and turn propane tank is turned on.
2. Follow all instructions in instruction manual for lighting the burner

BURNERS WILL NOT LIGHT WITH ROTARY IGNITER BUT DO LIGHT WITH MATCH

1. Turn the gas OFF at the supply tank valve.
2. Check the spark electrode. The wire of the spark electrode should be placed directly over one of the burner gas ports. There should be about a 1/8" vertical gap between the wire and the burner port.
3. Turn the rotary ignitor and watch for the spark to jump from the spark electrode wire to the burner port. Ideally the spark should hit the center of the gas port.
4. Repeat for each of the spark electrodes.
5. Follow all instructions in instruction manual for lighting the burner.

YELLOW FLAME

1. Adjust Air Shutter until burner has blue flame. Some yellow tipping of the flame is normal.
2. See Instruction Manual for Cleaning the burner

FLAME IS VERY SMALL AND WON'T INCREASE.

1. Make sure there is propane in the tank and the propane tank is turned on a minimum of 3 full turns
2. Follow all instructions in manual for leak testing the stove.
3. Turn all valves on the stove to the off position. Turn the Propane Tank off. Disconnect regulator from the tank. Reconnect regulator to the tank. Slowly turn tank on. Follow all instructions in the manual for leak testing the stove. If no leaks are found follow all instructions in the manual for lighting the appliance.

MAX POT DIAMETER 10"
 254MM DIAMÈTRE MAXIMUM DU POT

Regulator Model
 150/451, R329, RA329, RJ-A
 JY70-003, JY95A7A (JY95-007)
 RYQ Series (RYQF01)

FOR OUTDOOR USE ONLY
 UNIQUEMENT POUR L'EXTÉRIEUR

KEEP FOR FUTURE REFERENCE
 GARDEZ POUR RÉFÉRENCE ULTÉRIEURE



STABILIZER INSTALLATION

Place stove upside down on ground. Unfold legs and secure using pins. Install leg stabilizer as shown to wide legs. Tighten both thumb screws and stand stove upright.

WARNING: Do not use this appliance without the leg stabilizer in place.

INSTALACIÓN DE ESTABILIZADOR

Ponga la estufa boca abajo en el piso, desdoble las patas y el seguro utilizando la tachuela. Ponga ó instale el estabilizador a la pata ancha tal como se muestra en el grafico. Apriete los tornillos y pare la estufa verticalmente.

CUIDADO: No utilize el aparato sin el esta bilizador de la pata en su lugar.

L'INSTALLATION STABILISATEUR

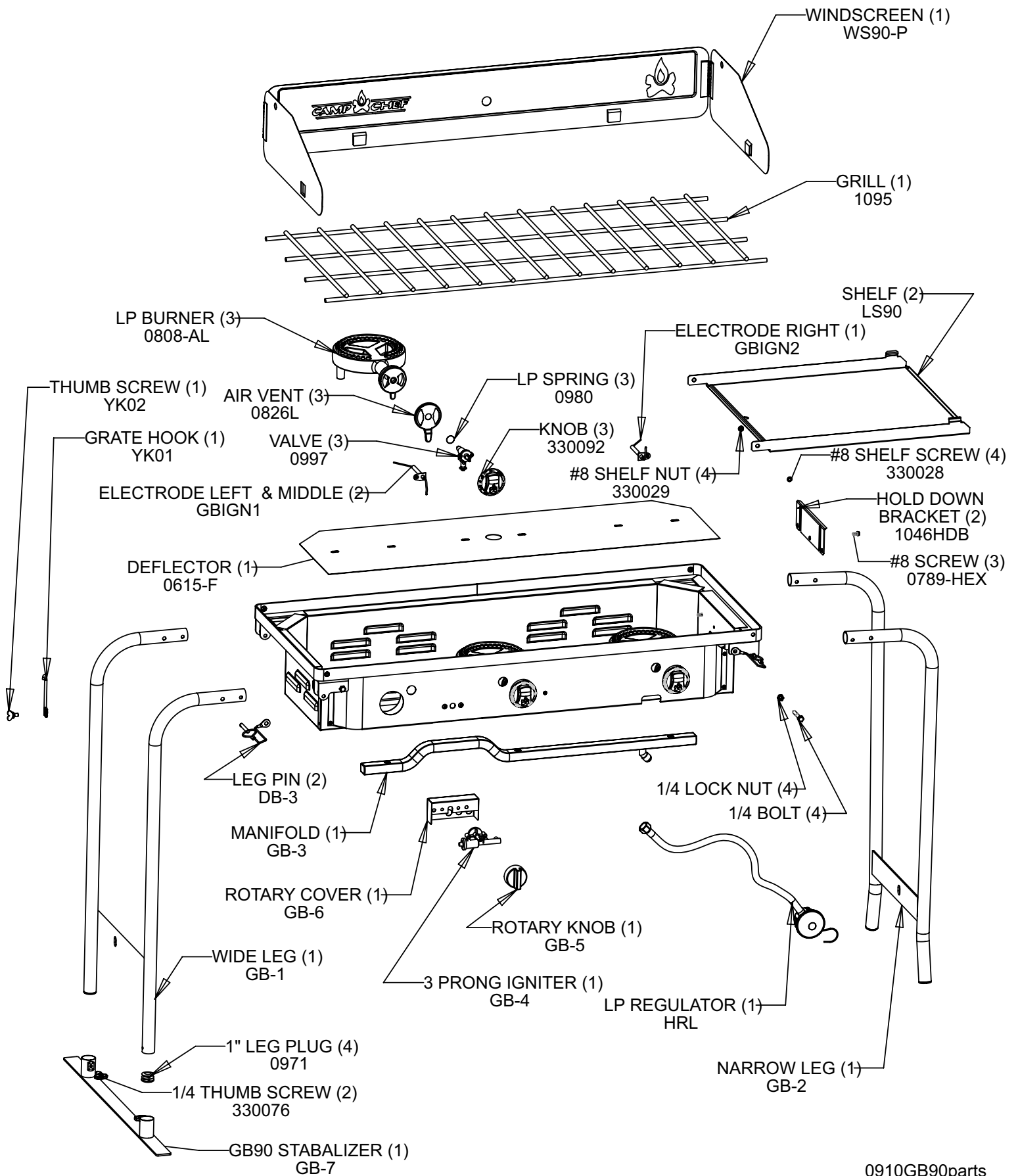
Renversez le poêle sur le sol. Dépliez les pattes et assurez-les à l'aide des tiges. Installez les stabilisateurs de pattes, comme illustré, pour écarter celles-ci. Serrez bien les deux vis à oreille et remettez le poêle à l'endroit.

AVERTISSEMENT: Ne pas utiliser cet appareil sans avoir mis en place les stabilisateurs de pattes.

3985 N 75 W, Hyde Park, UT 84318 • 800.650.2433 • www.CampChef.com

WARNING: Chemicals known to the state of California to cause cancer, birth defects, or other reproductive harm are created by the combustion of propane.
 Sport Utility, Big gASS Grill, Keg Roaster, Ultimate Roaster Are From the Makers of Camp Chef and Covered Under One or More of the Following Patents: 356714, 378646, 417120, 328547, 358057, 364772

GB90D PARTS LIST



0910GB90parts